

G.C. TO PROVIDE PROVIDE CCS w/ SPECS - CUTHEETS-ACTUAL SINK & FAUCET EQUIPT TO PROPERLY SIZE CUTOUTS REQ'D IN TOP

MATCHING 3/4\"/>

ALIGN COUNTERTOP w/ CENTERLINE OF RADIUS BASE

METAL FRAMING & SUPPORTS BY OTHERS

MATCHING 3/4\"/>

LINE OF TOE KICK BELOW

SEE PAGE I/D-4 FOR DETAILS

ENGINEERED QUARTZ COUNTERTOP w/ FLYWOOD SUBSTRATE w/ BACKER

METAL FRAMING & SUPPORTS BY OTHERS

SEE DETAIL I/D13

PLAN VIEW
 LOWER LEVEL SUITES 58
 RM # 325.01
 SCALE: 1/2"=1'-0"
 ARCH REF: A100

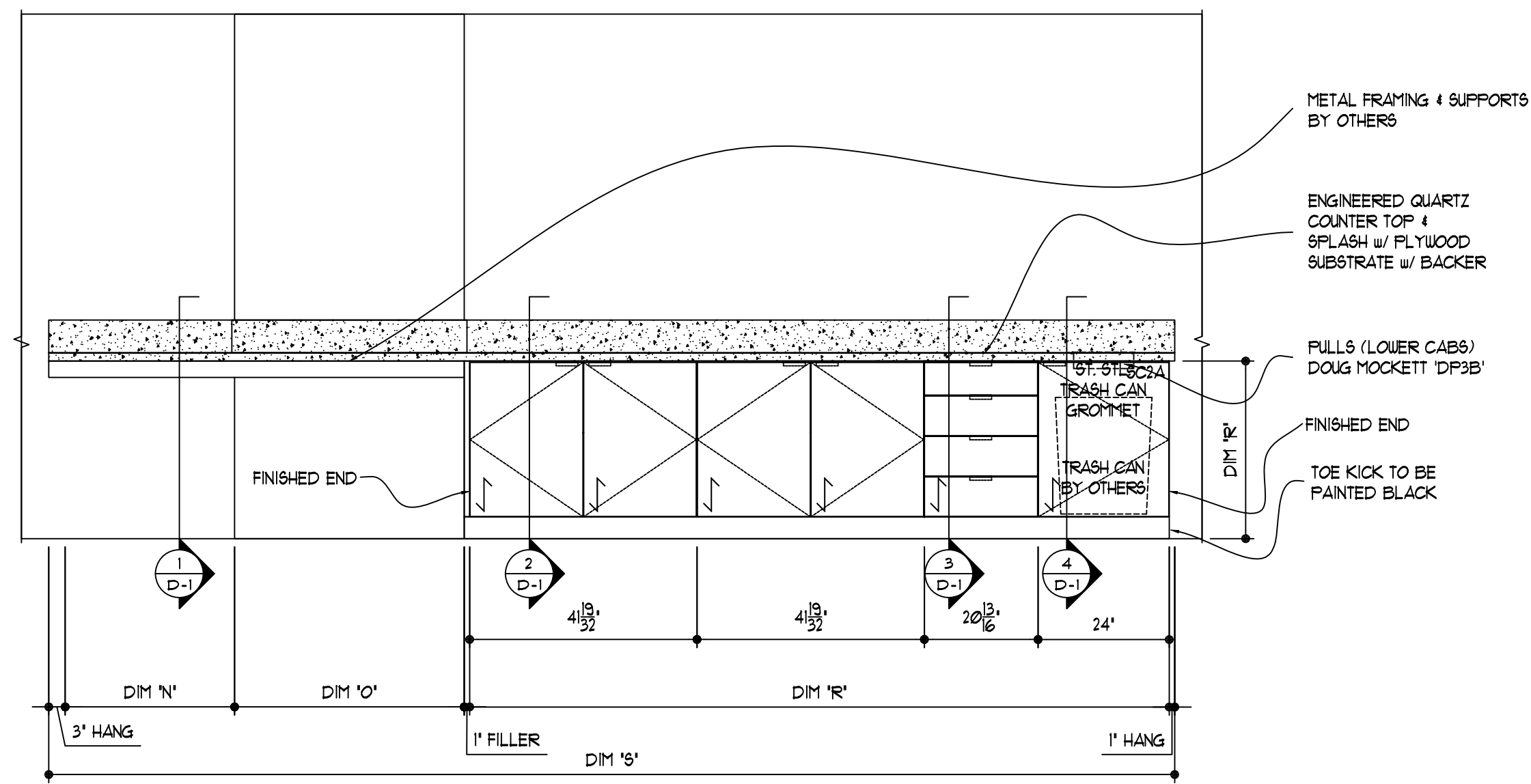
COUNTERTOP COLOR: GRANITE-HOT CHOCOLATE SQUARE EDGE w/ SLIGHT CHAMFER
 VANITY TOP: AVONITE K3-8320 NEW CALDREN
 GROMMETS: HAFELE #42933 COLOR TO BE SELECTED
 TRASH GROMMETS: DOUG MOCKETT GR30 11 X 6' POLISHED STAINLESS STEEL

REVISIONS

| NO. | DESCRIPTION | DATE | BY |
|-----|-------------|------|----|
| | | | |
| | | | |
| | | | |
| | | | |
| | | | |
| | | | |
| | | | |
| | | | |
| | | | |
| | | | |

PRO SPORTS COMPLEX

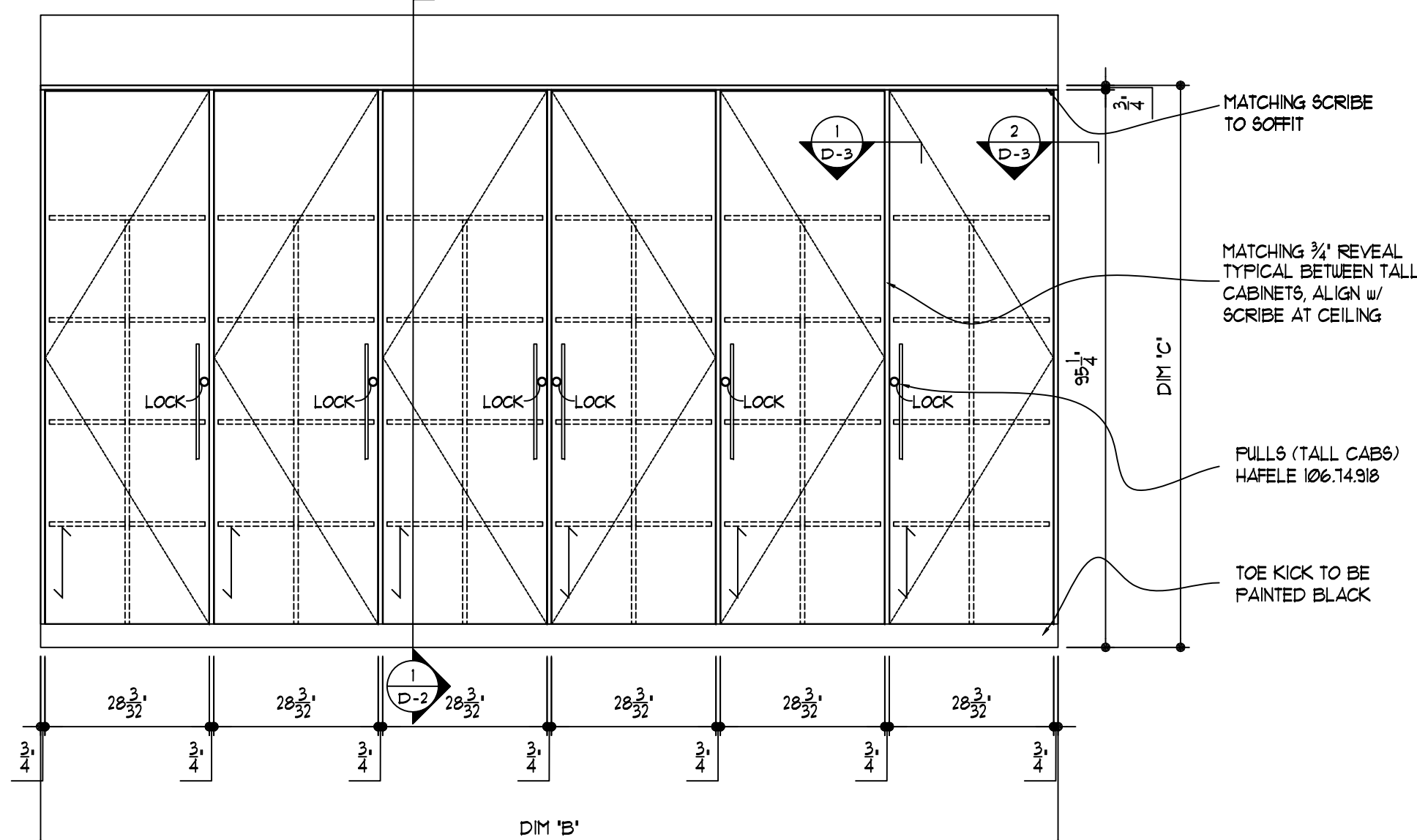
CUSTOMER NAME AND PROJECT INFORMATION HAS BEEN REMOVED



ELEVATION "A"

LOWER LEVEL SUITES 58
RM # 325.01
SCALE: 1/2"=1'-0"
ARCH REF: 2/1A610

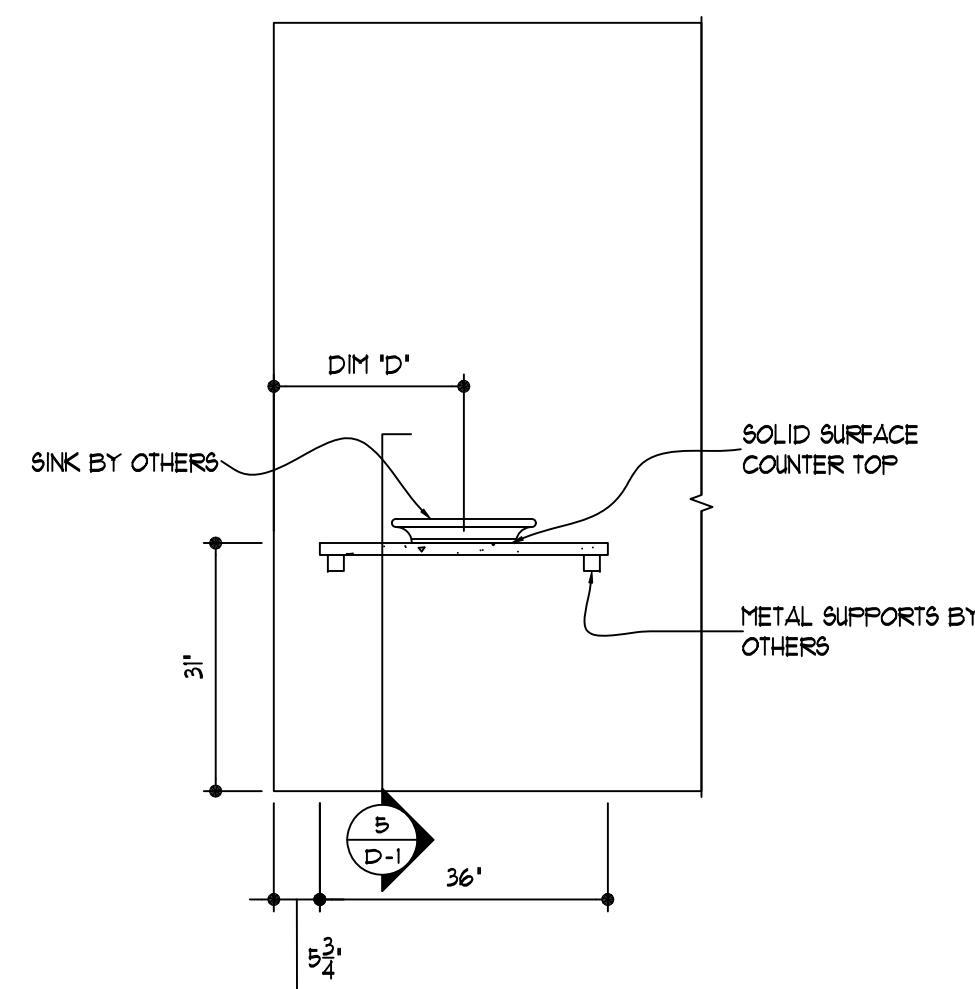
CASEWORK COLOR: (UD-20) WOOD VENEER: NATURAL SAPELE, SATIN FINISH FLITCH #42428 FROM BACON VENEERS
FULLS (LOWER CABS): DOUG MOCKETT DP3B TAB DRAWER FULL 4" EXTRUDED BRONZE ALLOY, 'SATIN CHROME'
GROMMETS: HAFELE #43933 'COLOR TO BE SELECTED'



ELEVATION "B"

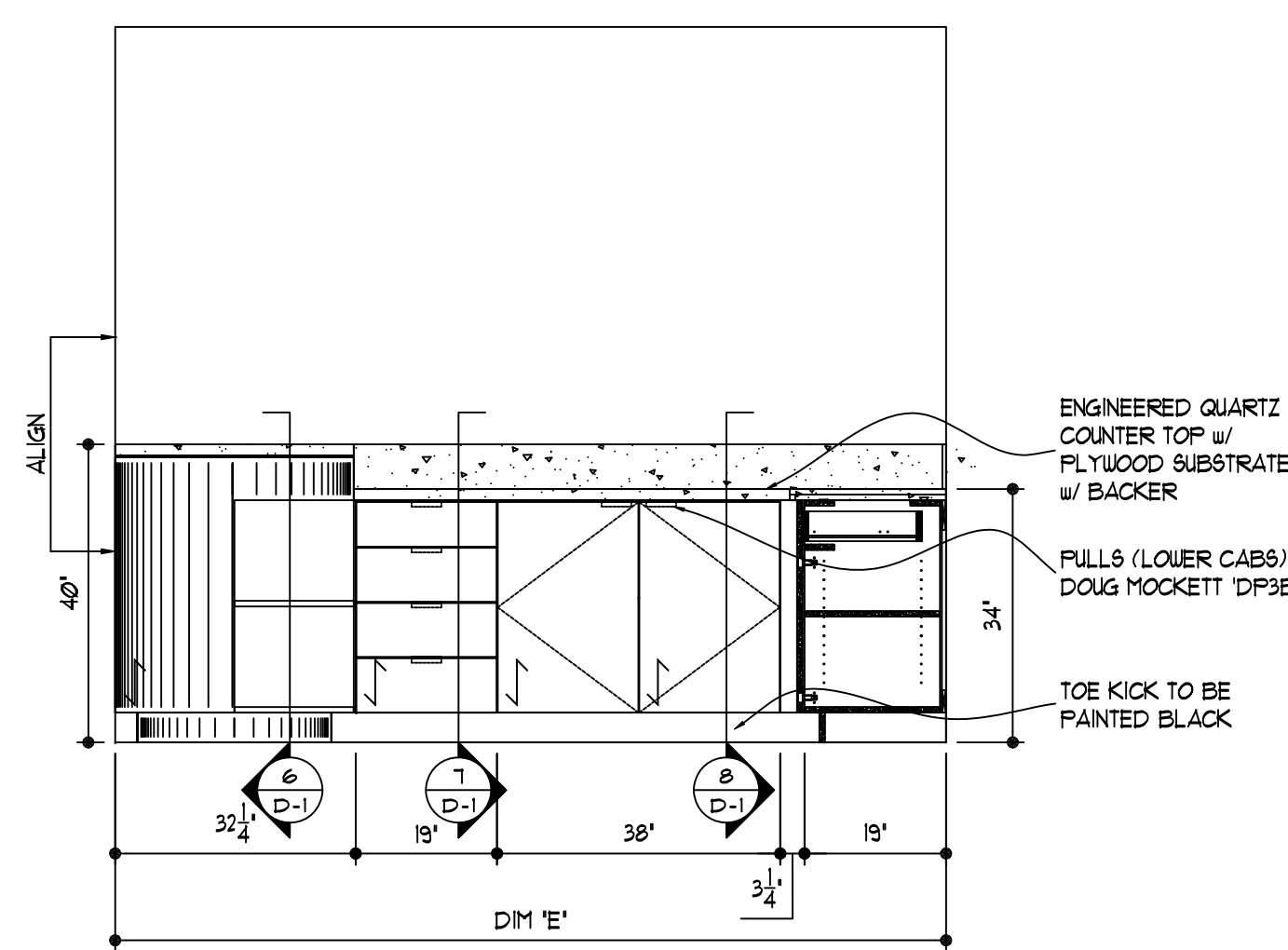
LOWER LEVEL SUITES 58
RM # 325.01
SCALE: 1/2"=1'-0"
ARCH REF: 3/1A610

CASEWORK COLOR: (UD-20) WOOD VENEER: NATURAL SAPELE, SATIN FINISH FLITCH #42428 FROM BACON VENEERS
FULLS (TALL CABS): HAFELE 106.14.98, 490mm X 38mm ANODIZED ALUMINUM 'SILVER'
LOCKS: TBD- DEADBOLT w/ REMOVABLE CORE
TRASH GROMMETS: DOUG MOCKETT GR30 II X 6" POLISHED STAINLESS STEEL



ELEVATION "C"

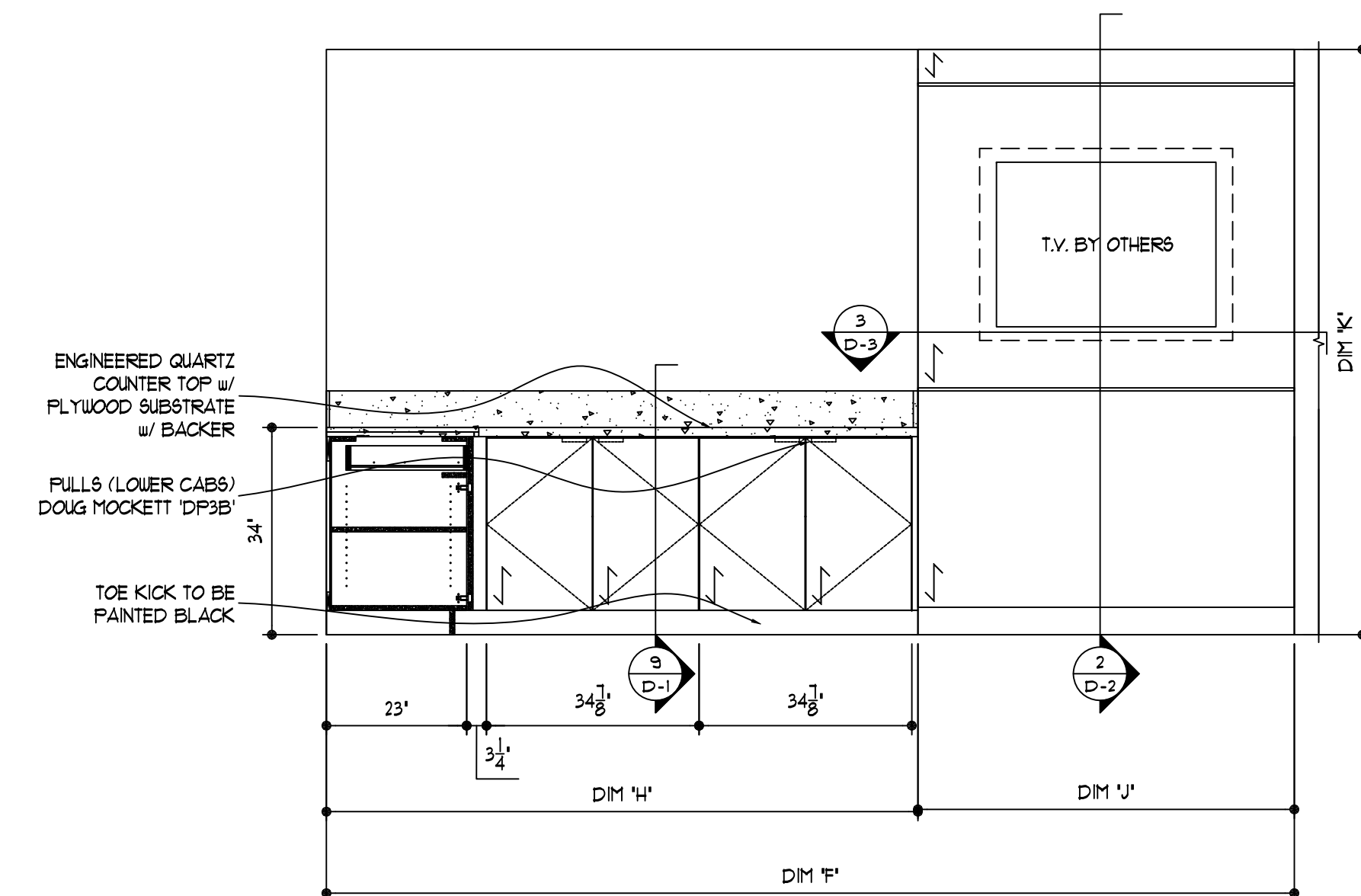
LOWER LEVEL SUITES 58
RM # 325.01
SCALE: 1/2"=1'-0"
ARCH REF: 4/1A611



ELEVATION "D"

LOWER LEVEL SUITES 58
RM # 325.01
SCALE: 1/2"=1'-0"
ARCH REF: 2/1A611

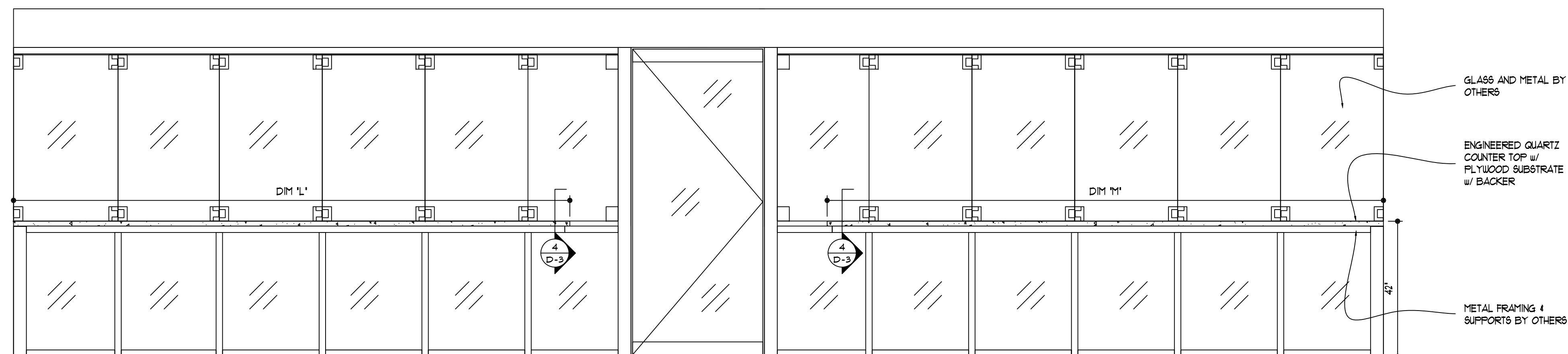
CASEWORK COLOR: (UD-20) WOOD VENEER: NATURAL SAPELE, SATIN FINISH FLITCH #42428 FROM BACON VENEERS
FULLS (LOWER & UPPER CABS): DOUG MOCKETT DP3B TAB DRAWER FULL 4" EXTRUDED BRONZE ALLOY, 'SATIN CHROME'



ELEVATION "E"

LOWER LEVEL SUITES 58
RM # 325.01
SCALE: 1/2"=1'-0"
ARCH REF: 1/1A611

CASEWORK COLOR: (UD-20) WOOD VENEER: NATURAL SAPELE, SATIN FINISH FLITCH #42428 FROM BACON VENEERS
FULLS (LOWER & UPPER CABS): DOUG MOCKETT DP3B TAB DRAWER FULL 4" EXTRUDED BRONZE ALLOY, 'SATIN CHROME'



ELEVATION "F"

LOWER LEVEL SUITES 58
RM # 325.01
SCALE: 1/2"=1'-0"
ARCH REF: 1/1A610

COUNTERTOP COLOR: GRANITE-HOT CHOCOLATE, SQUARE EDGE w/ SLIGHT CHAMFER

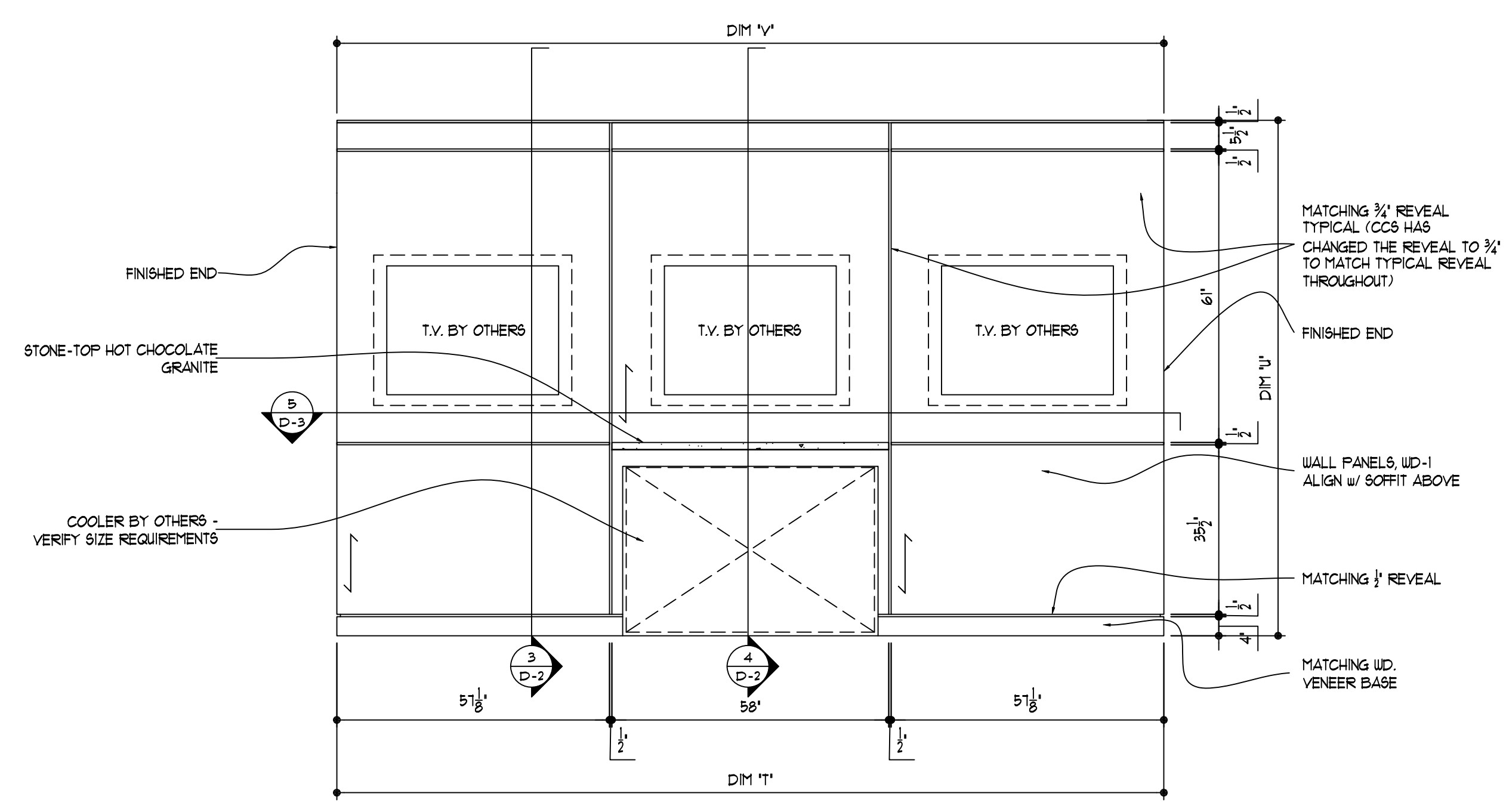
| NO. | DESCRIPTION | REVISIONS | |
|-----|-------------|-----------|----|
| | | DATE | BY |
| | | | |
| | | | |
| | | | |
| | | | |
| | | | |
| | | | |
| | | | |
| | | | |
| | | | |

DRAWN BY: _____
 PROJECT MGR: _____
 SCALE: _____
 DATE: _____
 JOB NO.: _____
 PRO SPORTS COMPLEX

CUSTOMER NAME AND PROJECT INFORMATION HAS BEEN REMOVED

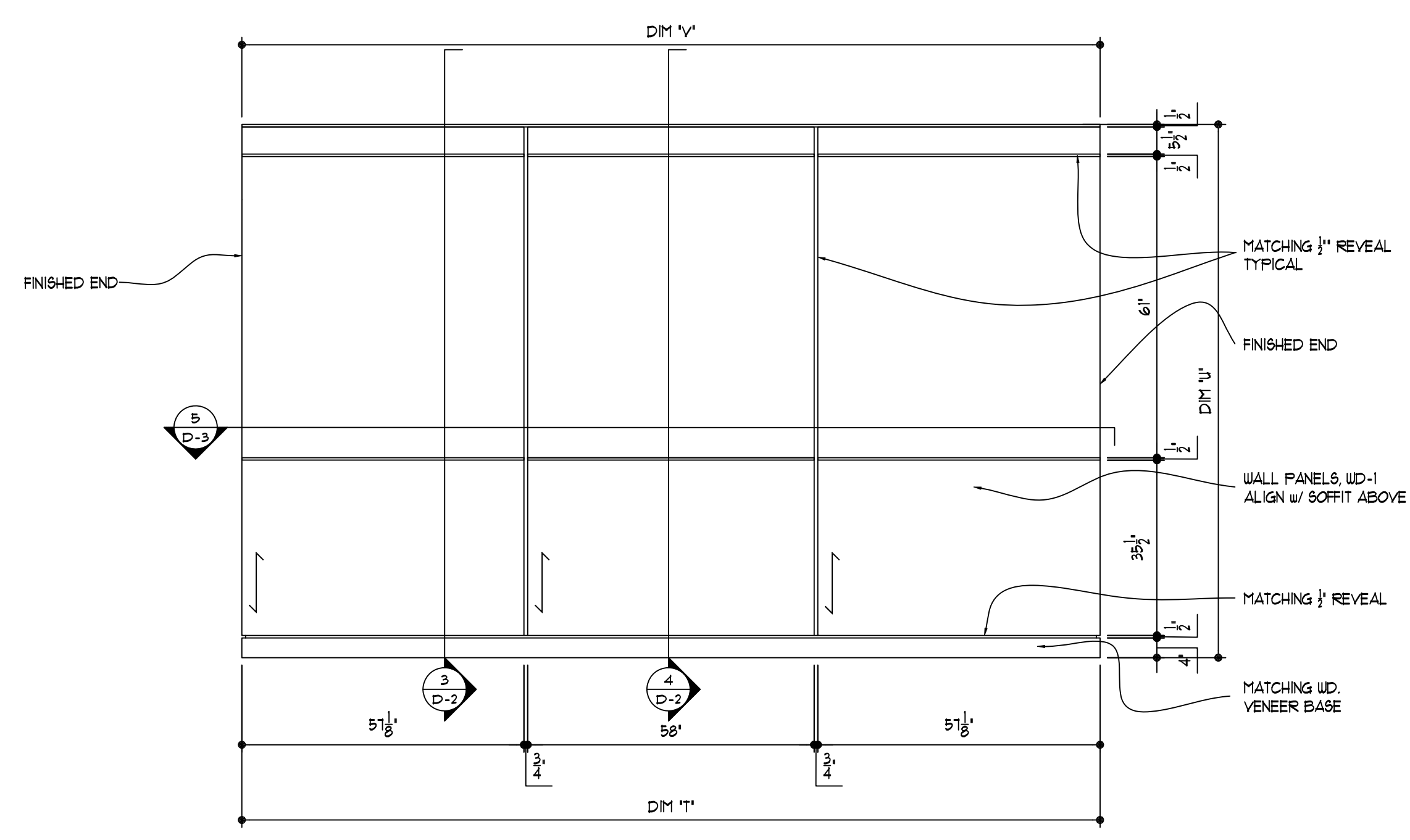
| NO. | DESCRIPTION | DATE | BY |
|-----|-------------|------|----|
| | | | |
| | | | |
| | | | |
| | | | |
| | | | |
| | | | |
| | | | |
| | | | |
| | | | |
| | | | |

CUSTOMER NAME AND PROJECT INFORMATION HAS BEEN REMOVED
 PRO SPORTS COMPLEX



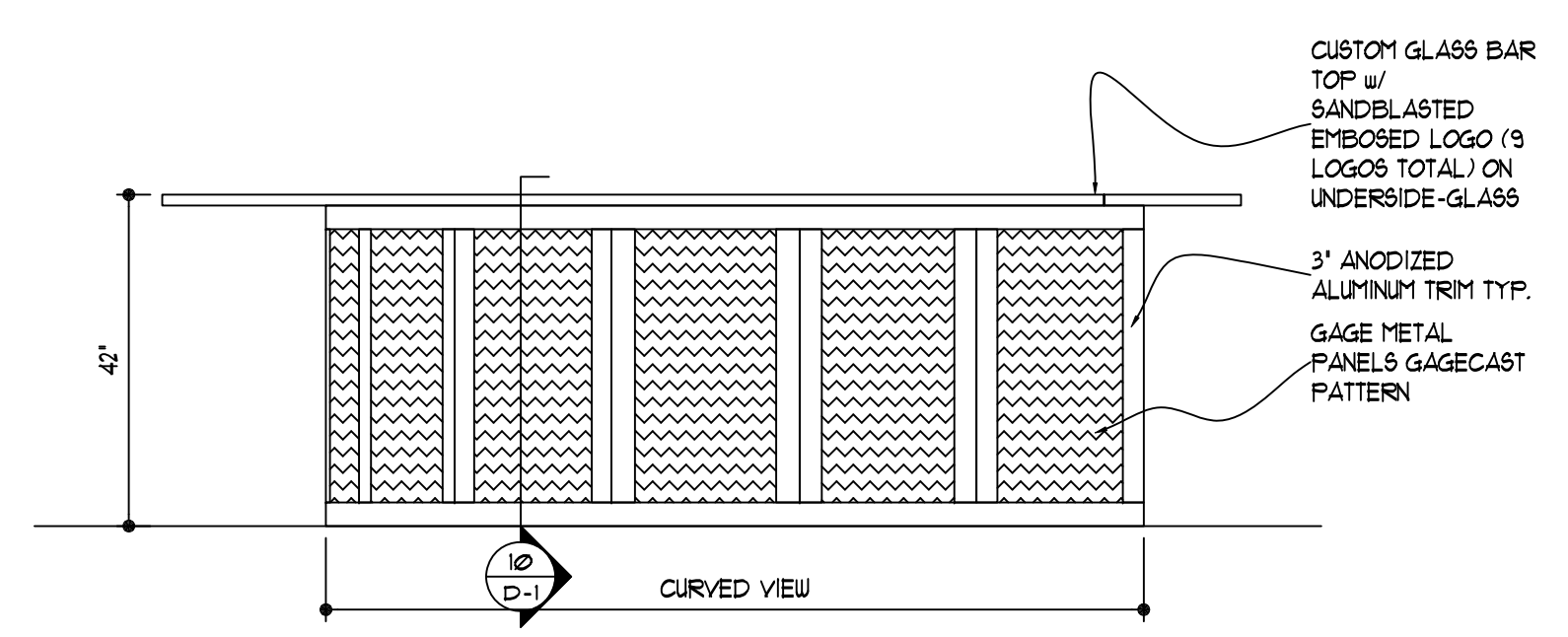
ELEVATION "G"
LOWER LEVEL SUITES #58
RM # 325.01
SCALE: 1/2"=1'-0"
ARCH REF: 2/A611

CASEWORK COLOR: (WD-20) WOOD VENEER: NATURAL SAPELE, SATIN FINISH FLITCH #422428 FROM BACON VENEERS



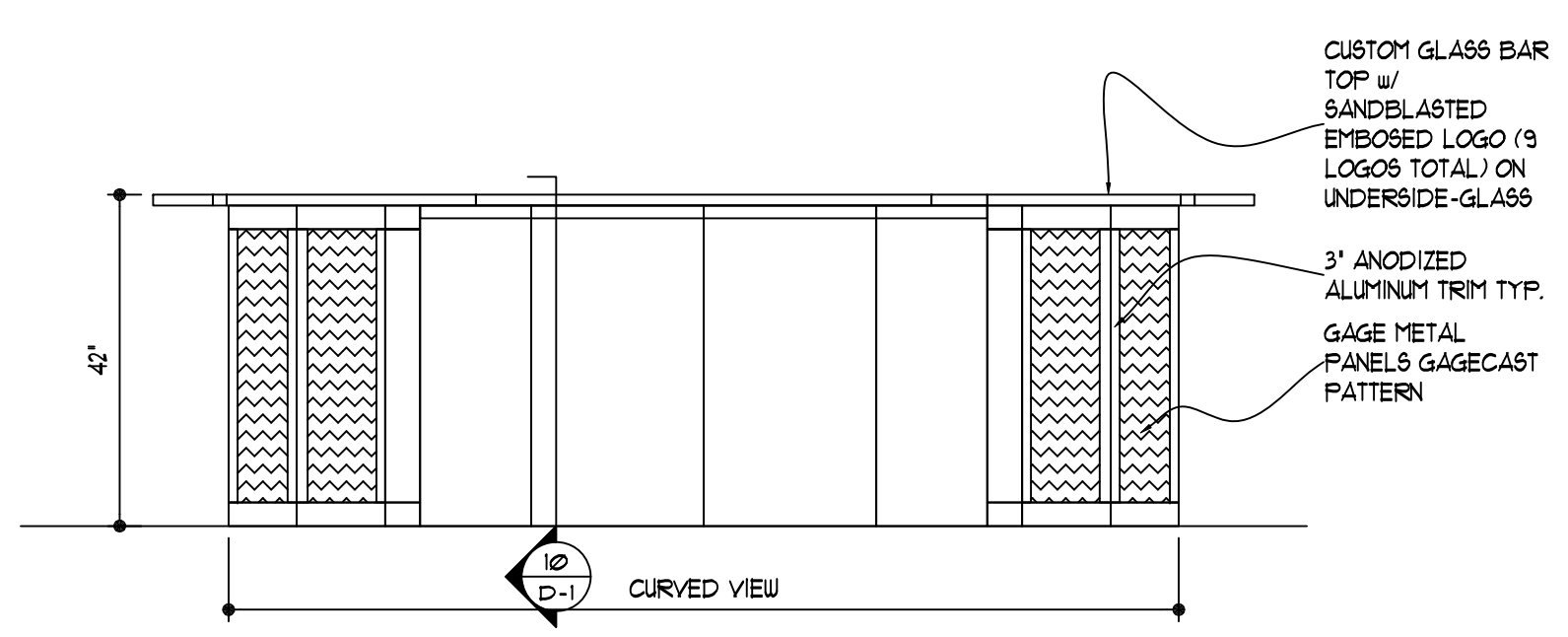
ELEVATION "H"
LOWER LEVEL SUITES #58
RM # 325.01
SCALE: 1/2"=1'-0"
ARCH REF: 2/A611

CASEWORK COLOR: (WD-20) WOOD VENEER: NATURAL SAPELE, SATIN FINISH FLITCH #422428 FROM BACON VENEERS



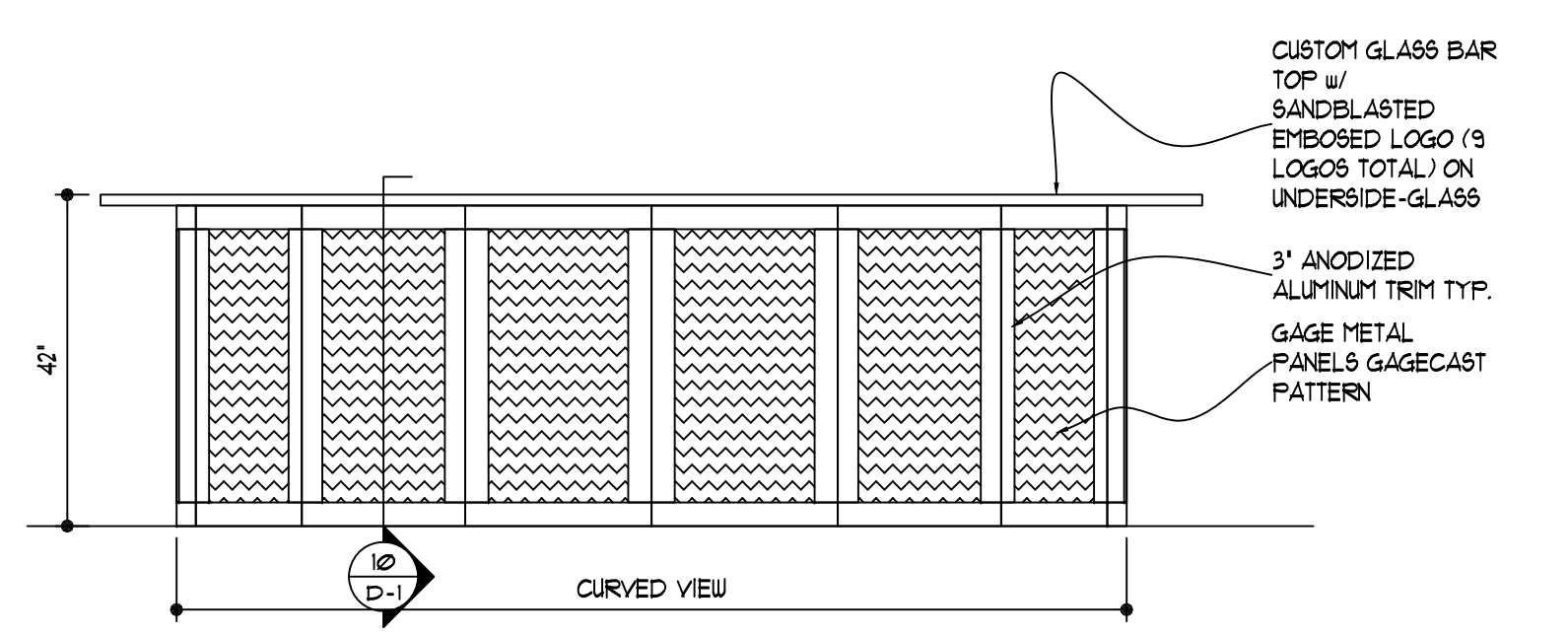
ELEVATION "I"
LOWER LEVEL SUITES #58
RM # 325.01
SCALE: 1/2"=1'-0"
ARCH REF: 2/A612

DIEWALL COLOR: GC101 SAHARA-GAGE METAL PANELS GAGECAST PATTERN, 'COPPER FINISH'
TRIM: ANODIZED ALUMINUM TRIM



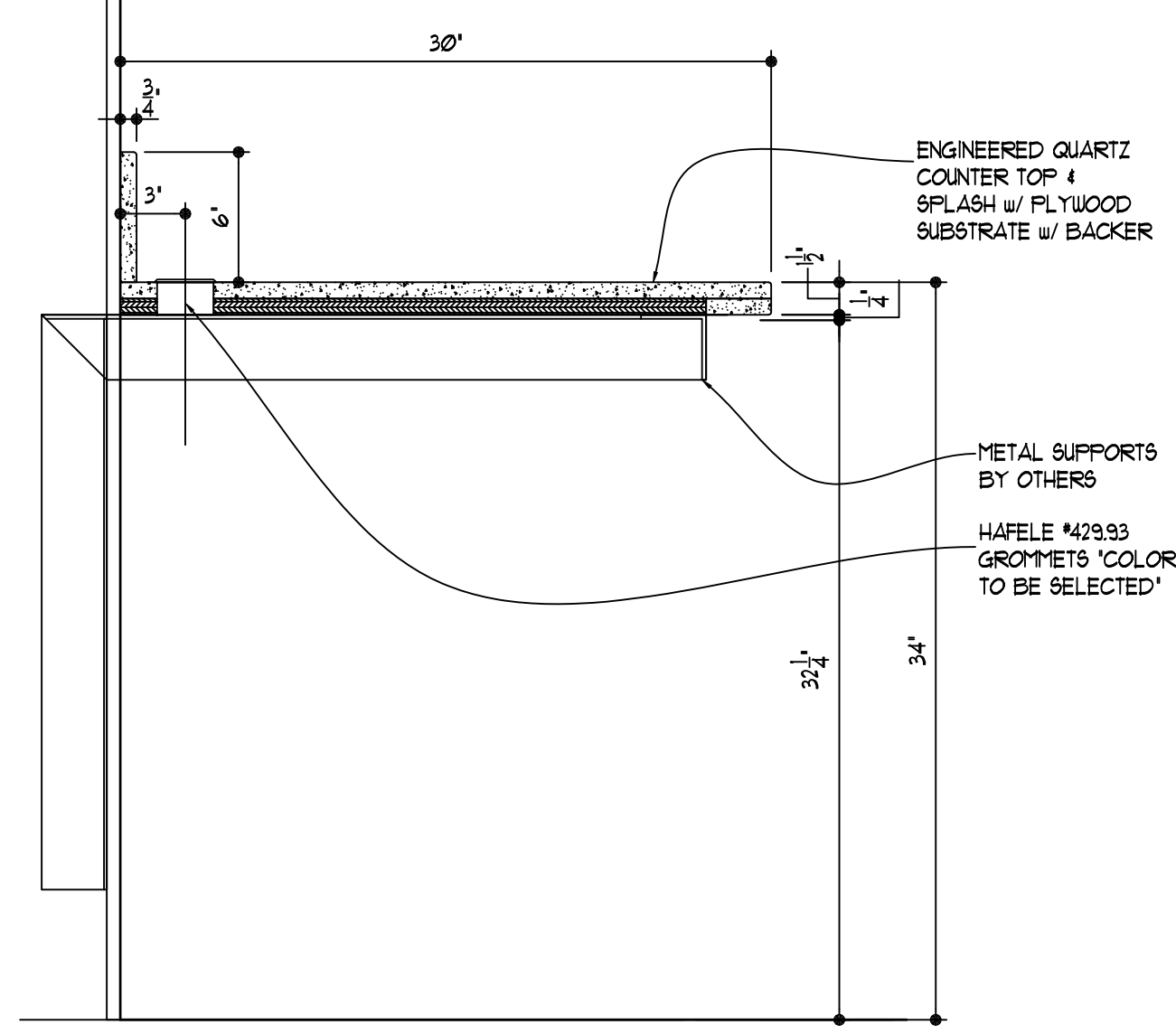
ELEVATION "J"
LOWER LEVEL SUITES #58
RM # 325.01
SCALE: 1/2"=1'-0"
ARCH REF: CREATED BY CCS

DIEWALL COLOR: GC101 SAHARA-GAGE METAL PANELS GAGECAST PATTERN, 'COPPER FINISH'
TRIM: ANODIZED ALUMINUM TRIM

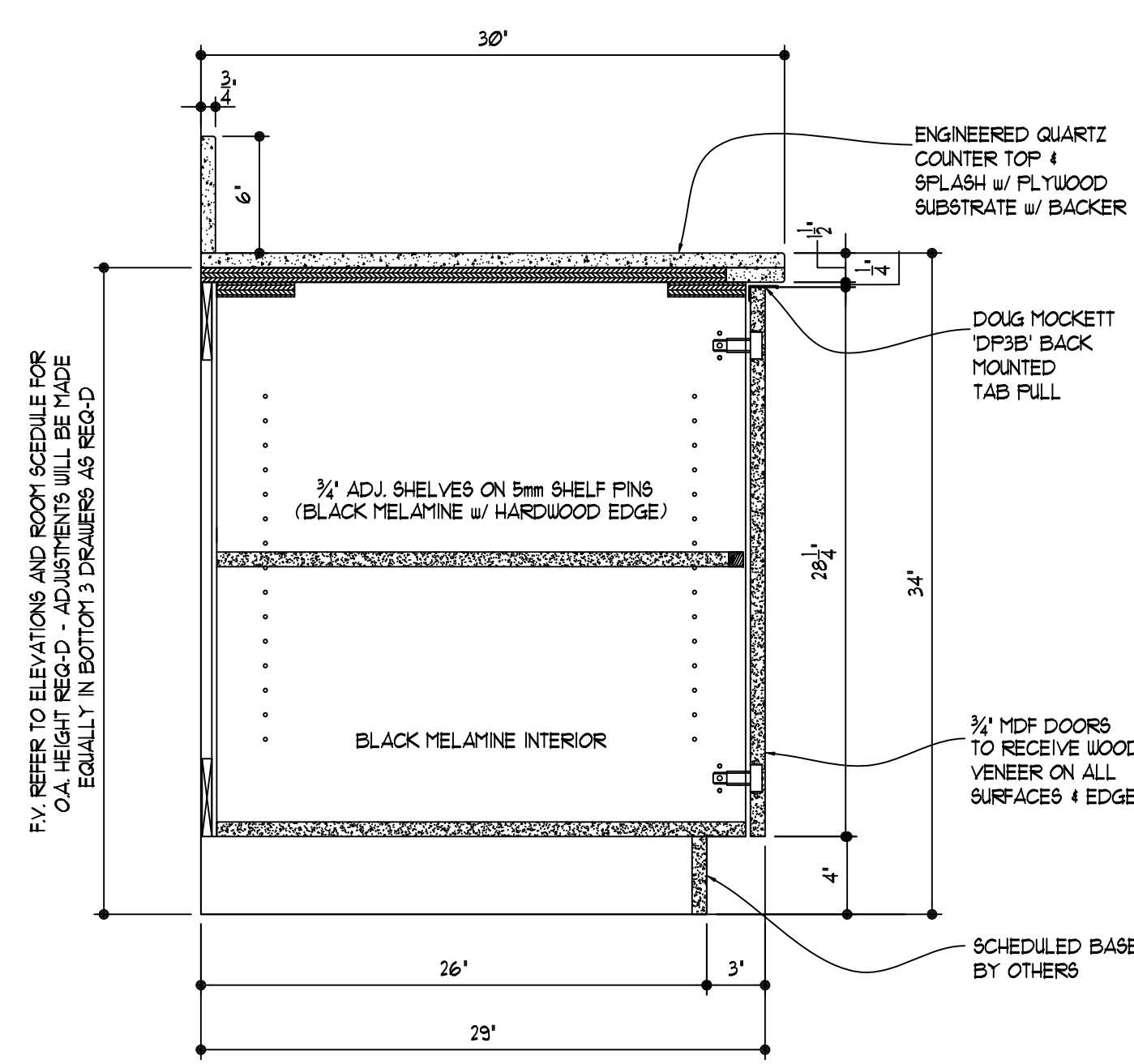


ELEVATION "K"
LOWER LEVEL SUITES #58
RM # 325.01
SCALE: 1/2"=1'-0"
ARCH REF: 1/A612

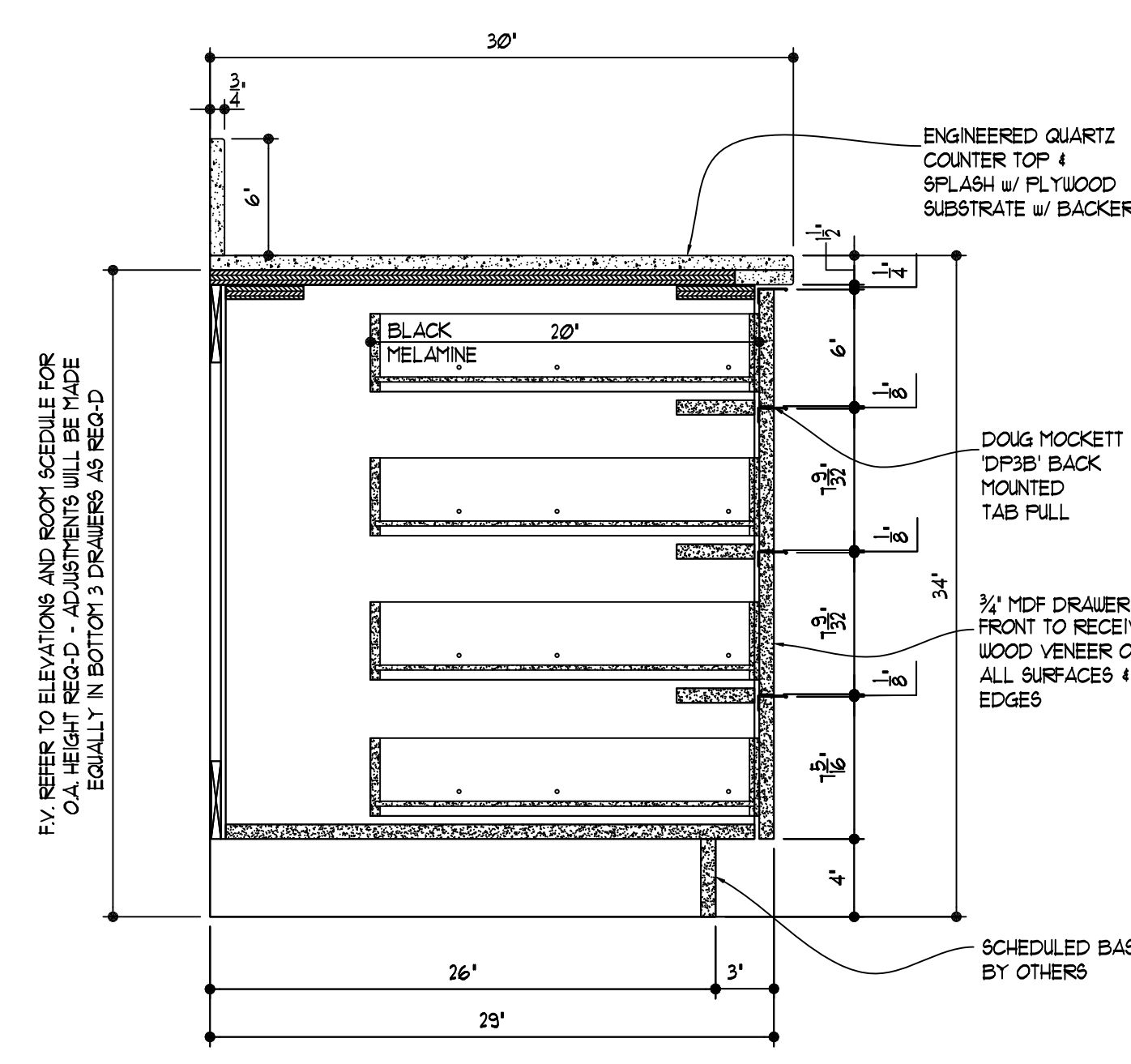
DIEWALL COLOR: GC101 SAHARA-GAGE METAL PANELS GAGECAST PATTERN, 'COPPER FINISH'
TRIM: ANODIZED ALUMINUM TRIM



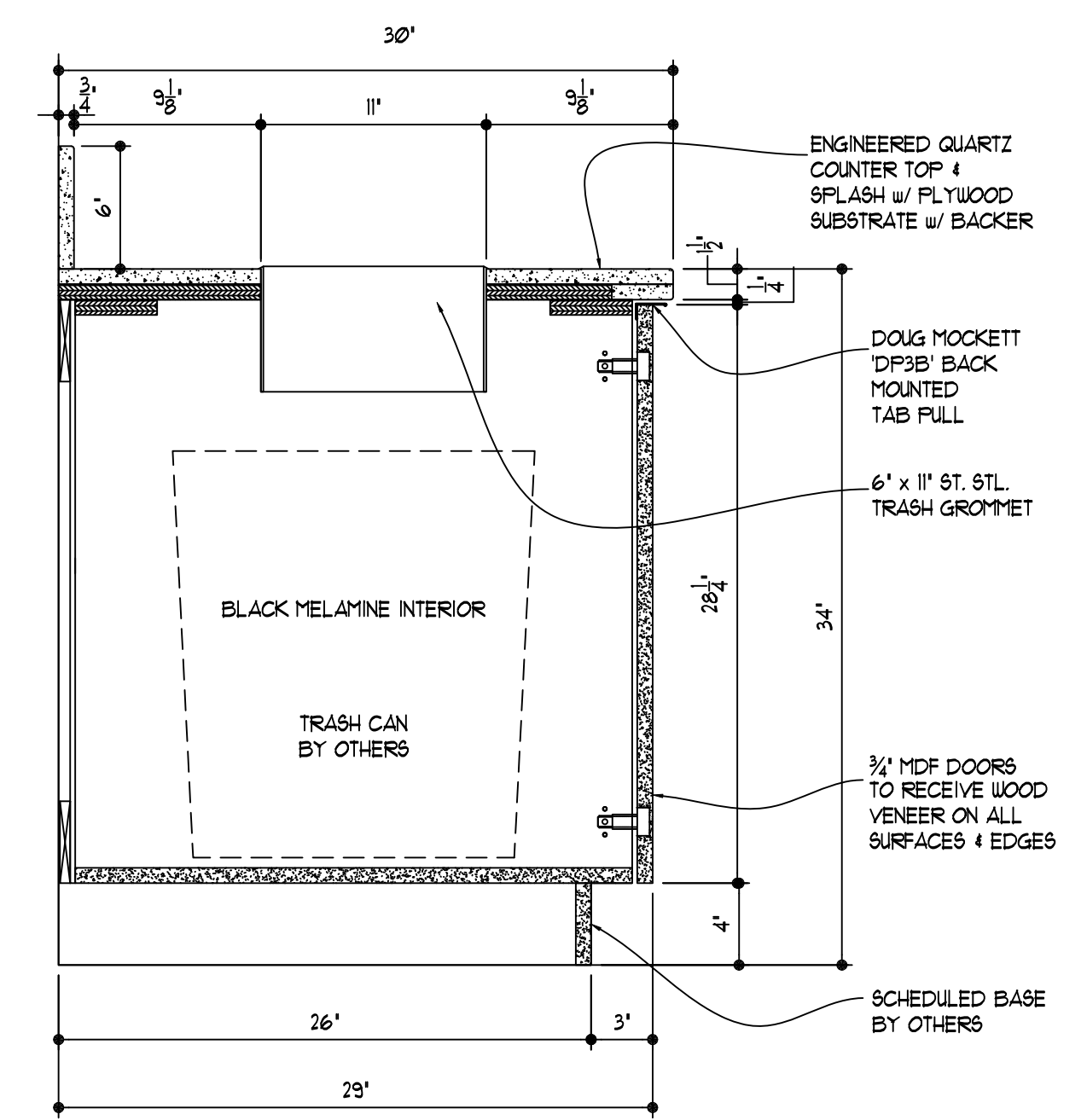
SECTION 1 (D01)
SCALE: 1-1/2" = 1'-0"
ARCH REF: 01/A32130



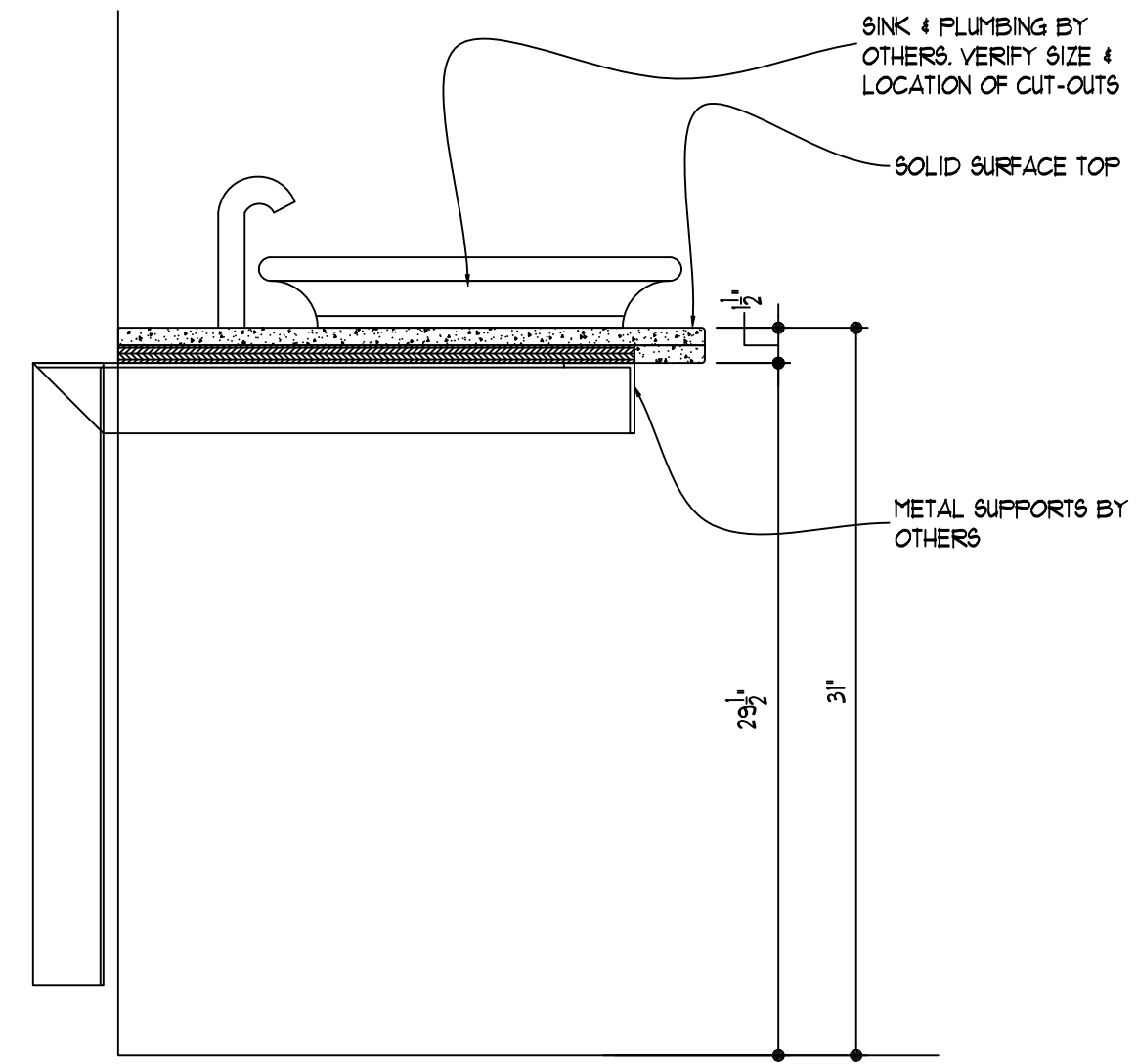
SECTION 2 (D01)
SCALE: 1-1/2" = 1'-0"
ARCH REF: A32100, (SUITE CABINET SCHEDULE)



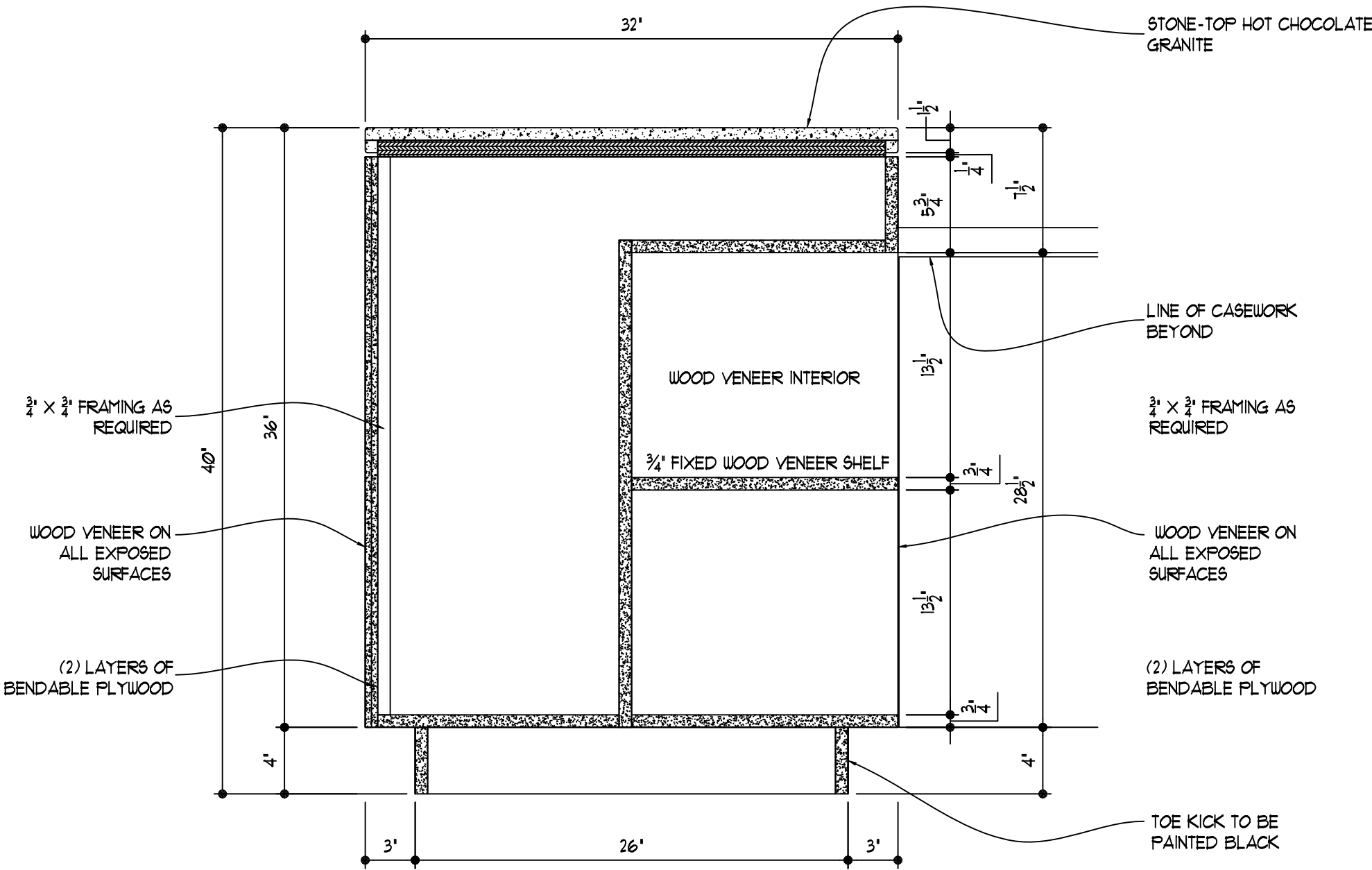
SECTION 3 (D01)
SCALE: 1-1/2" = 1'-0"
ARCH REF: A32100, (SUITE CABINET SCHEDULE)



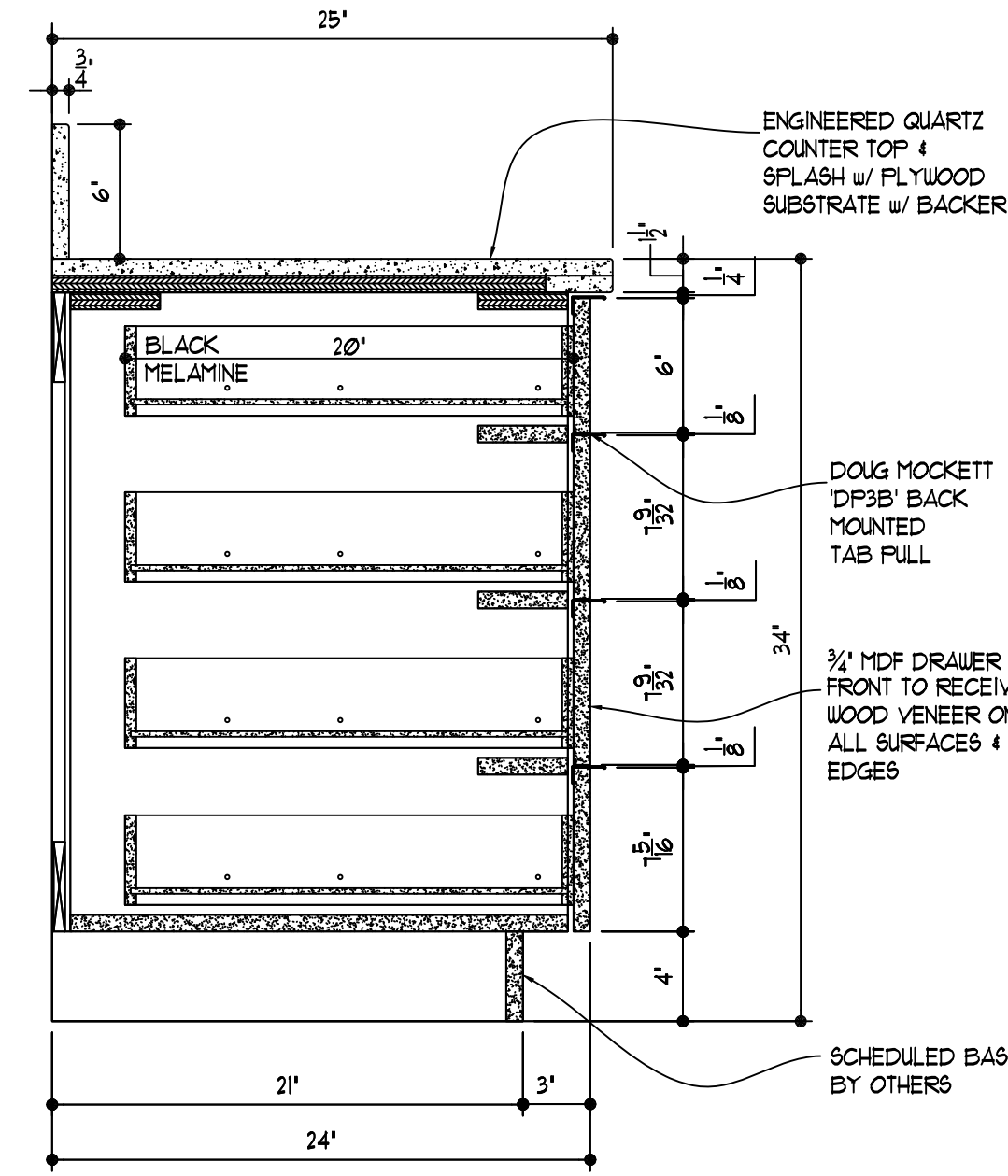
SECTION 4 (D01)
SCALE: 1-1/2" = 1'-0"
ARCH REF: A32100, (SUITE CABINET SCHEDULE)



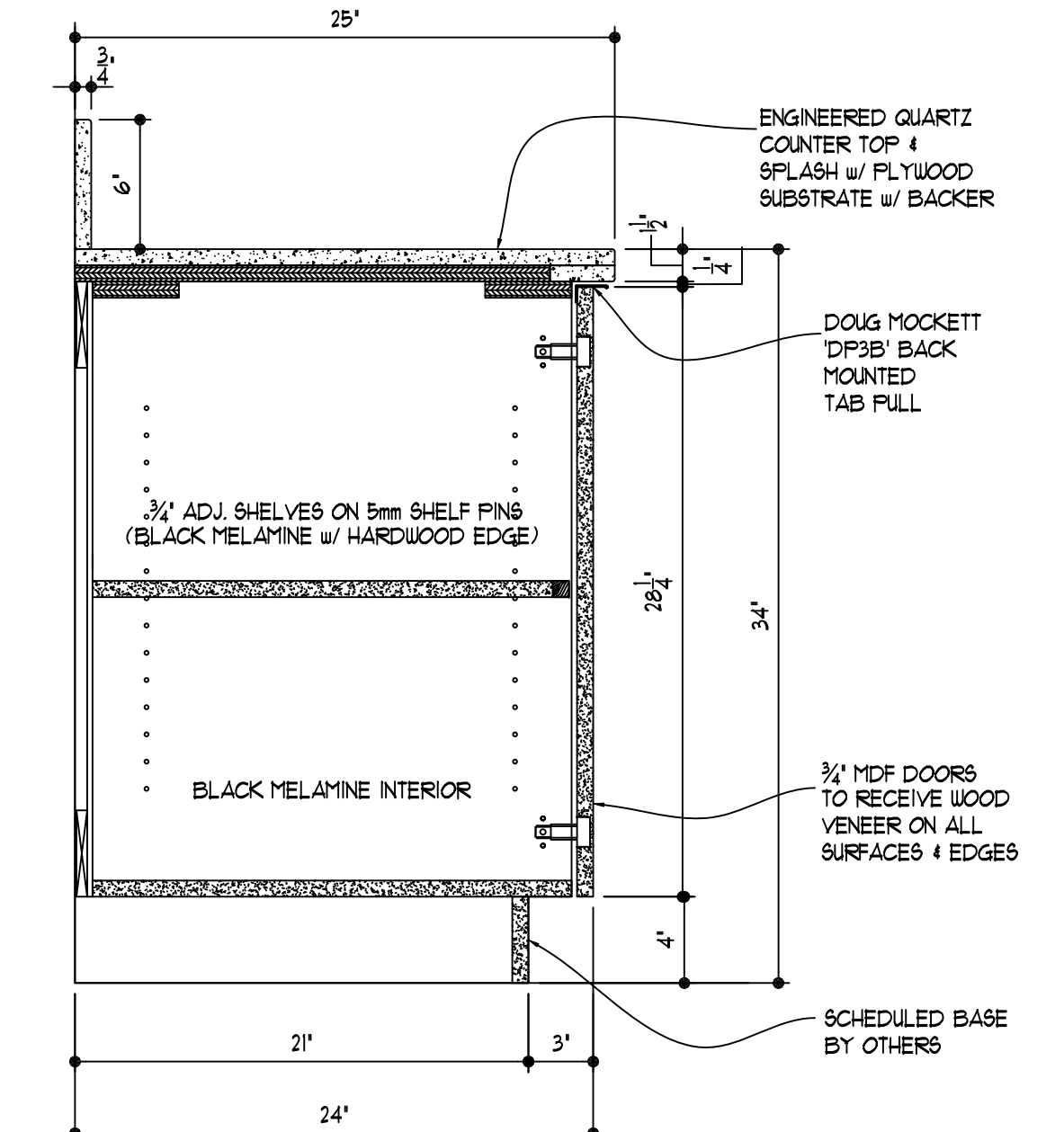
SECTION 5 (D01)
SCALE: 1-1/2" = 1'-0"
ARCH REF: 4/A611



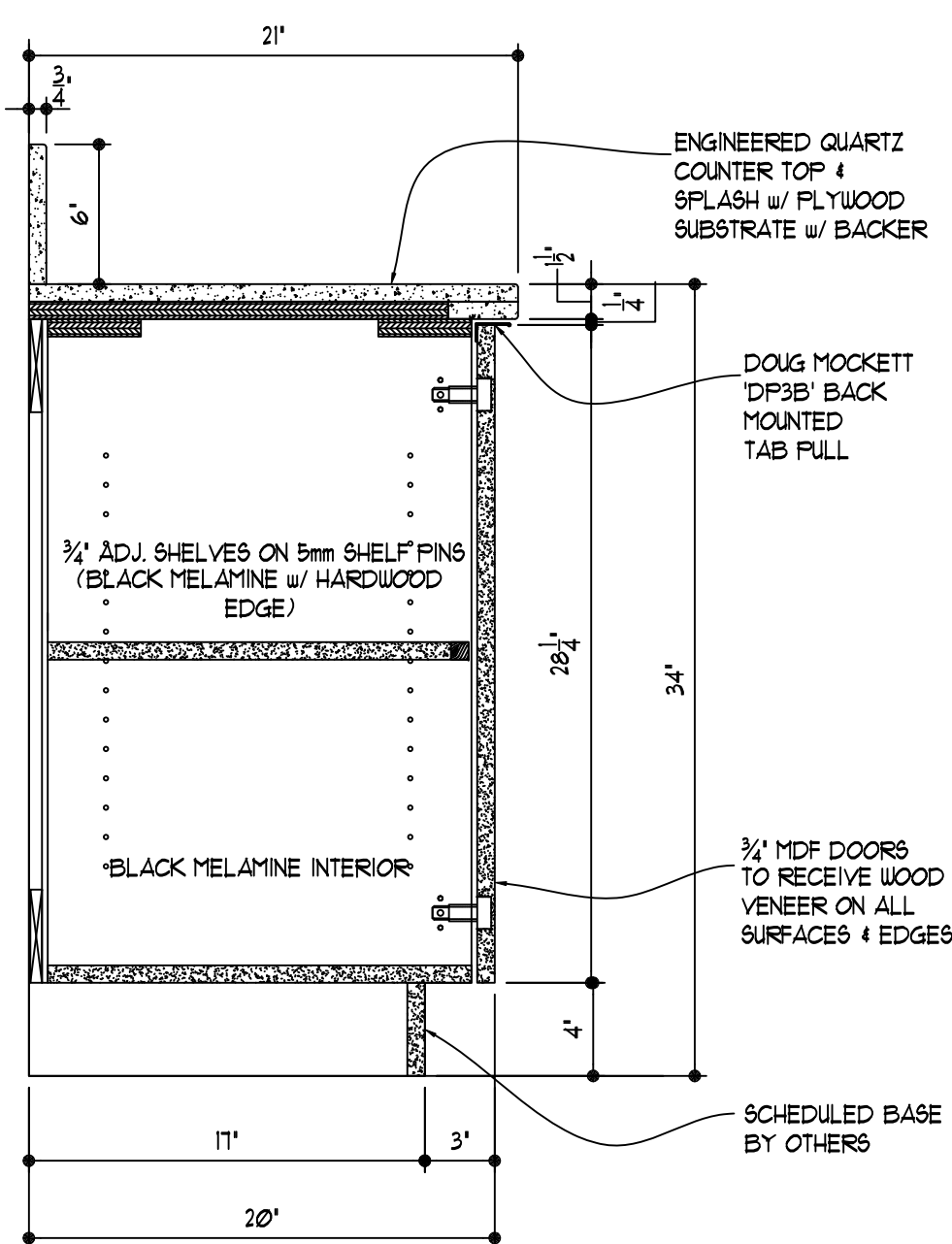
SECTION 6 (D01)
SCALE: 1-1/2" = 1'-0"
ARCH REF: 2/A621



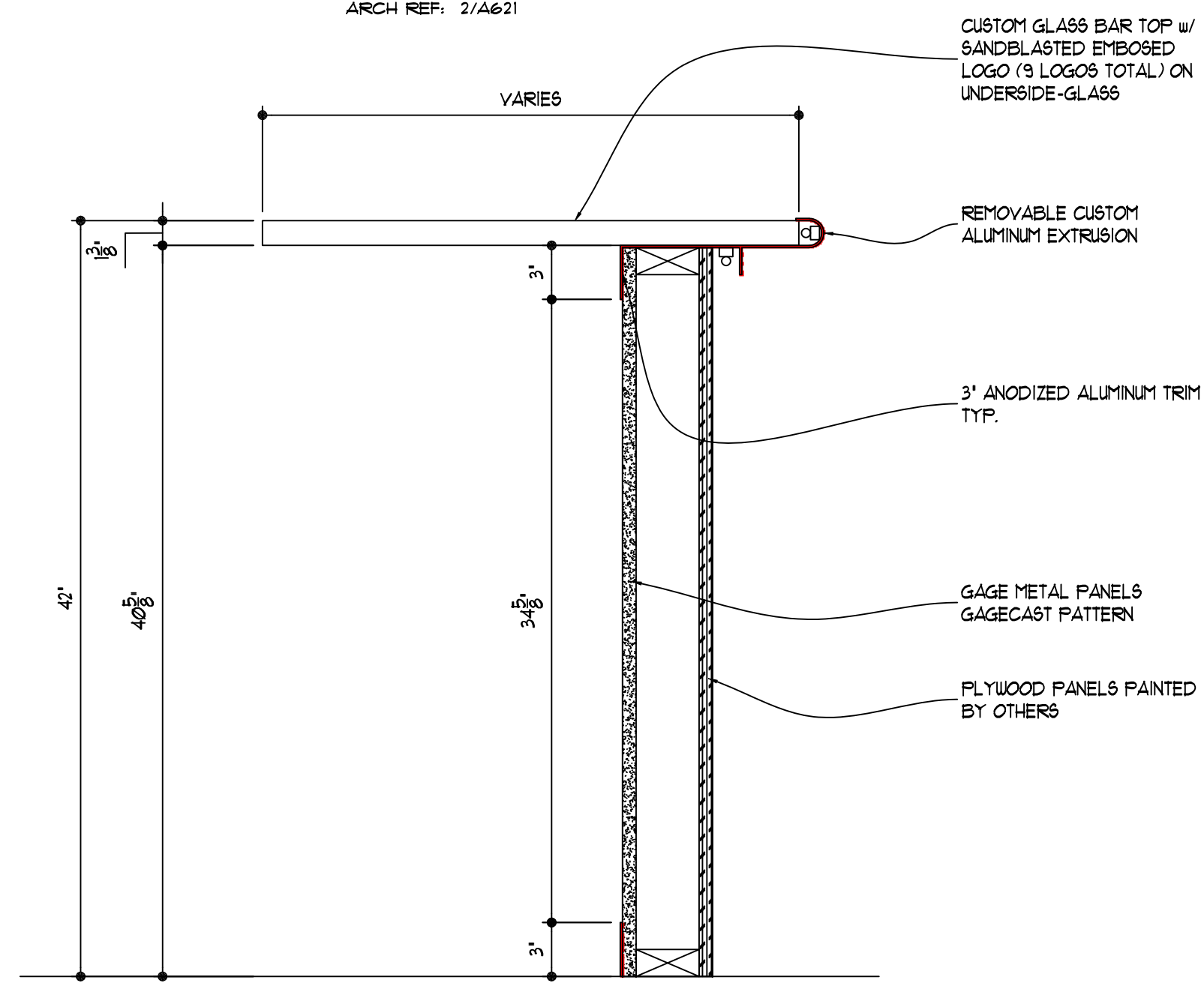
SECTION 7 (D01)
SCALE: 1-1/2" = 1'-0"
ARCH REF: A32100, (SUITE CABINET SCHEDULE)



SECTION 8 (D01)
SCALE: 1-1/2" = 1'-0"
ARCH REF: A32100, (SUITE CABINET SCHEDULE)



SECTION 9 (D01)
SCALE: 1-1/2" = 1'-0"
ARCH REF: N/A



SECTION 10 (D01)
SCALE: 1-1/2" = 1'-0"
ARCH REF: 3/A612

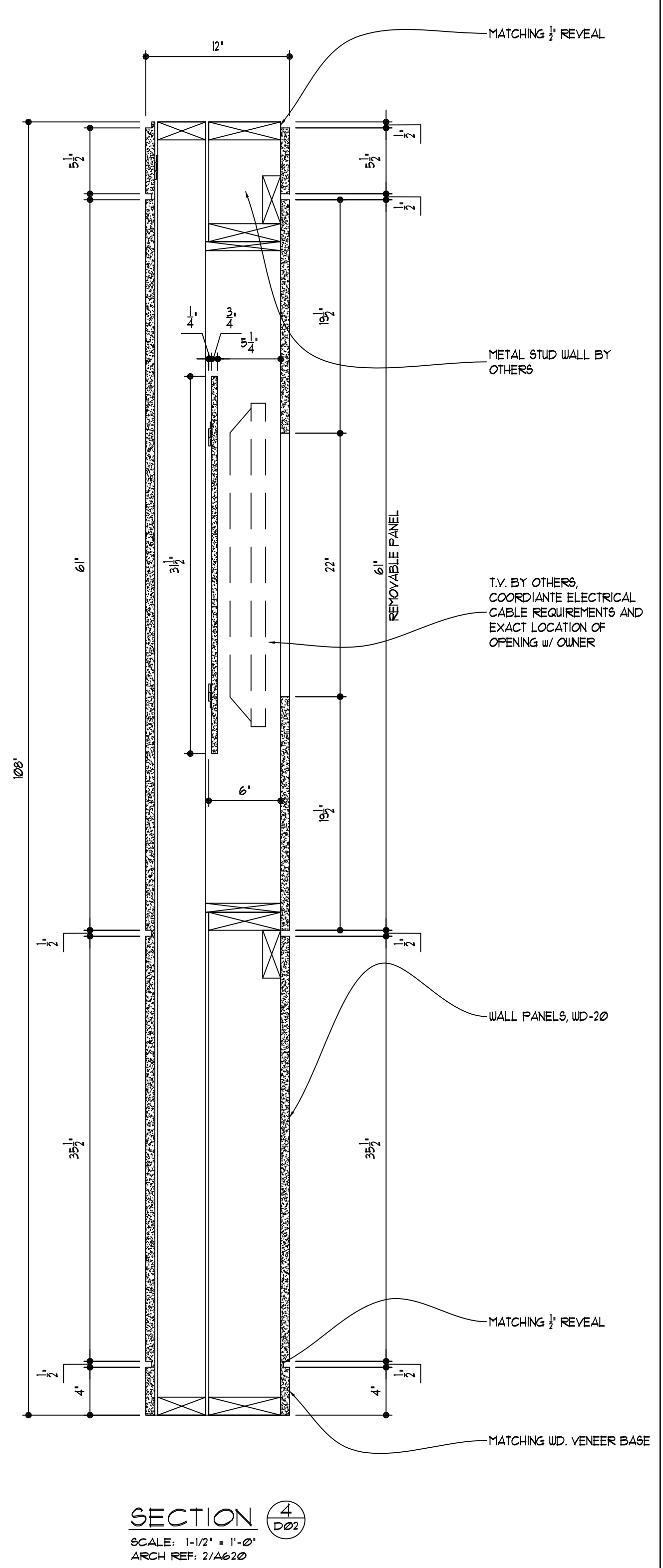
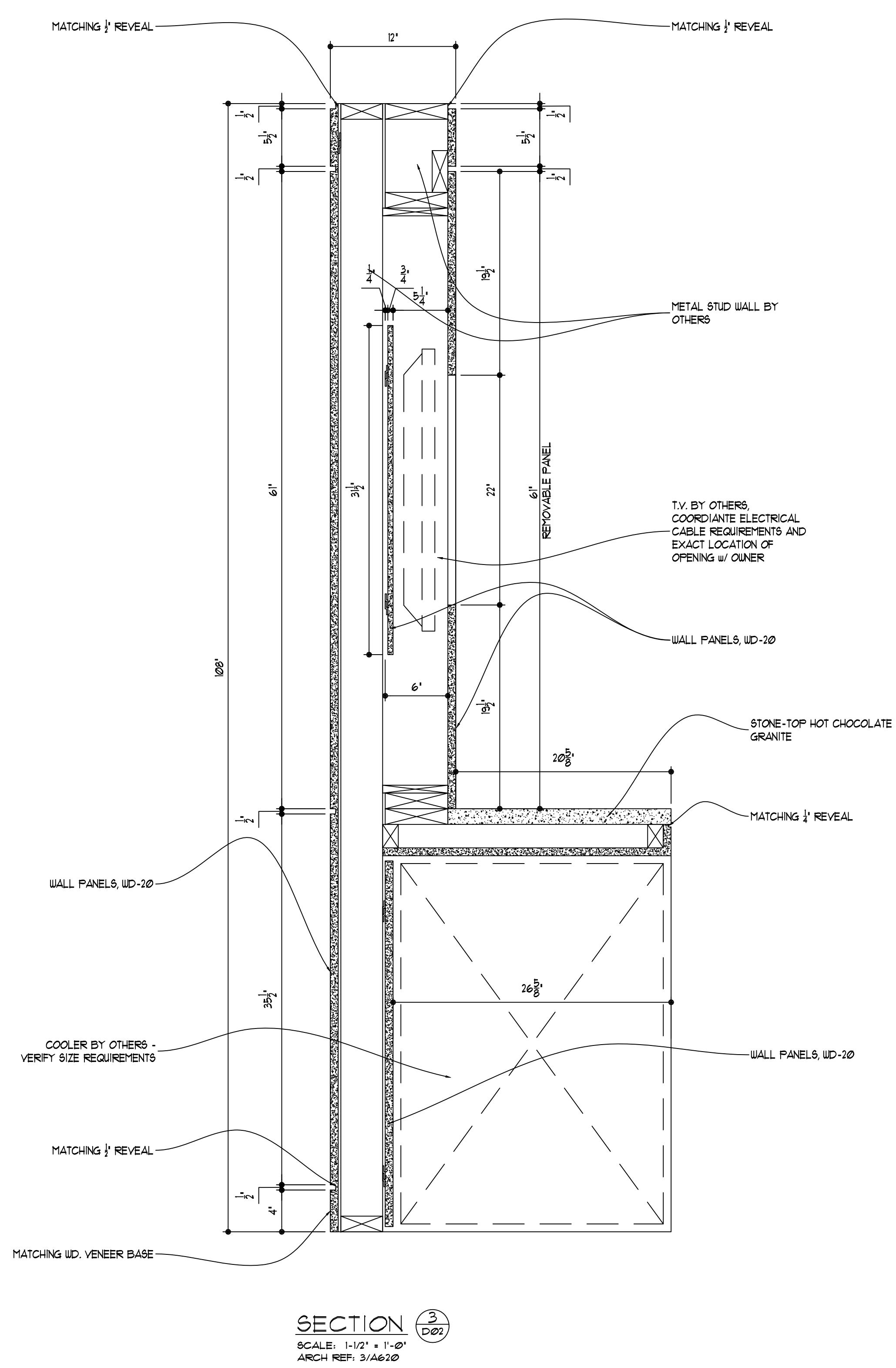
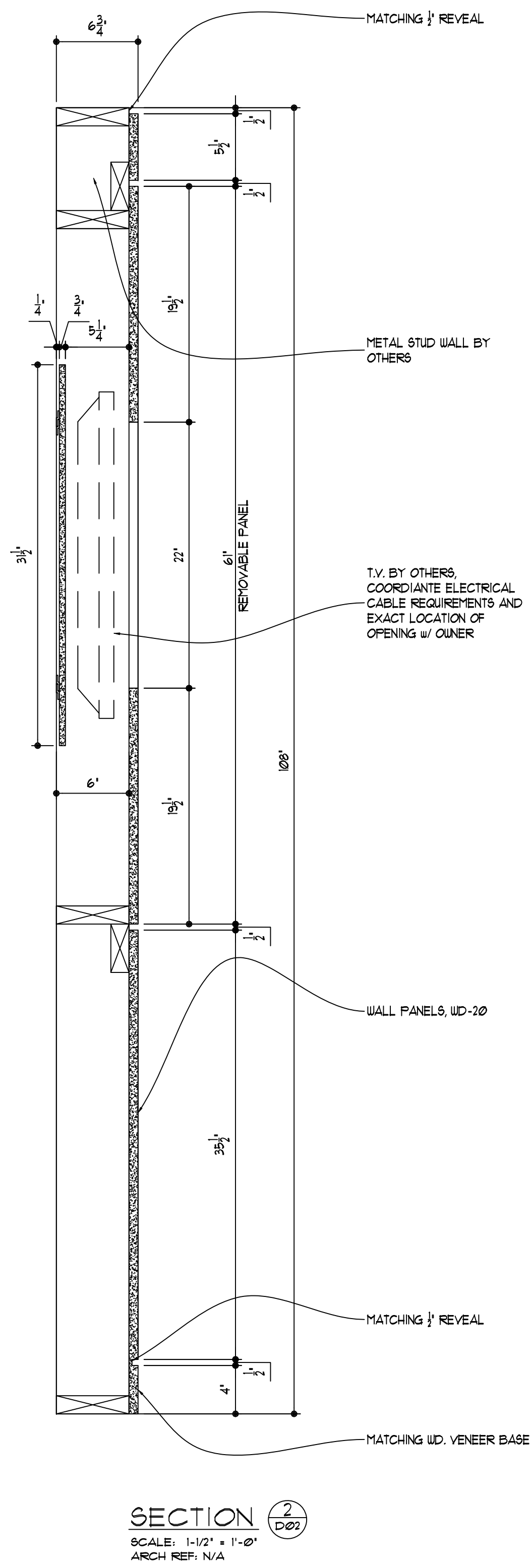
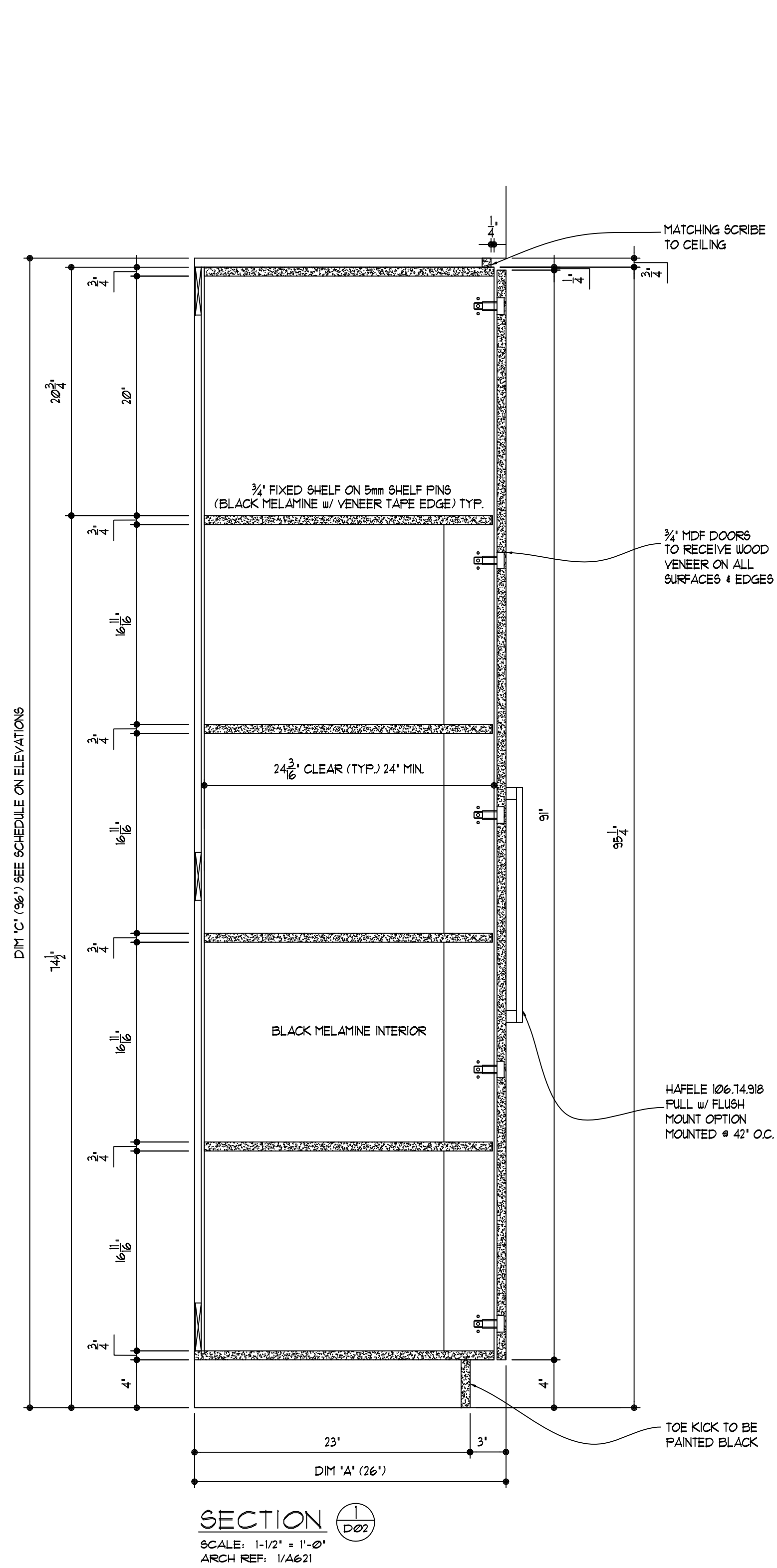
DRAWN BY: PROJECT MGR.
SCALE: DATE: JOB NO.

| NO. | DESCRIPTION | DATE | BY |
|-----|-------------|------|----|
| | | | |
| | | | |
| | | | |
| | | | |
| | | | |
| | | | |
| | | | |
| | | | |
| | | | |
| | | | |

REVISIONS

PRO SPORTS COMPLEX

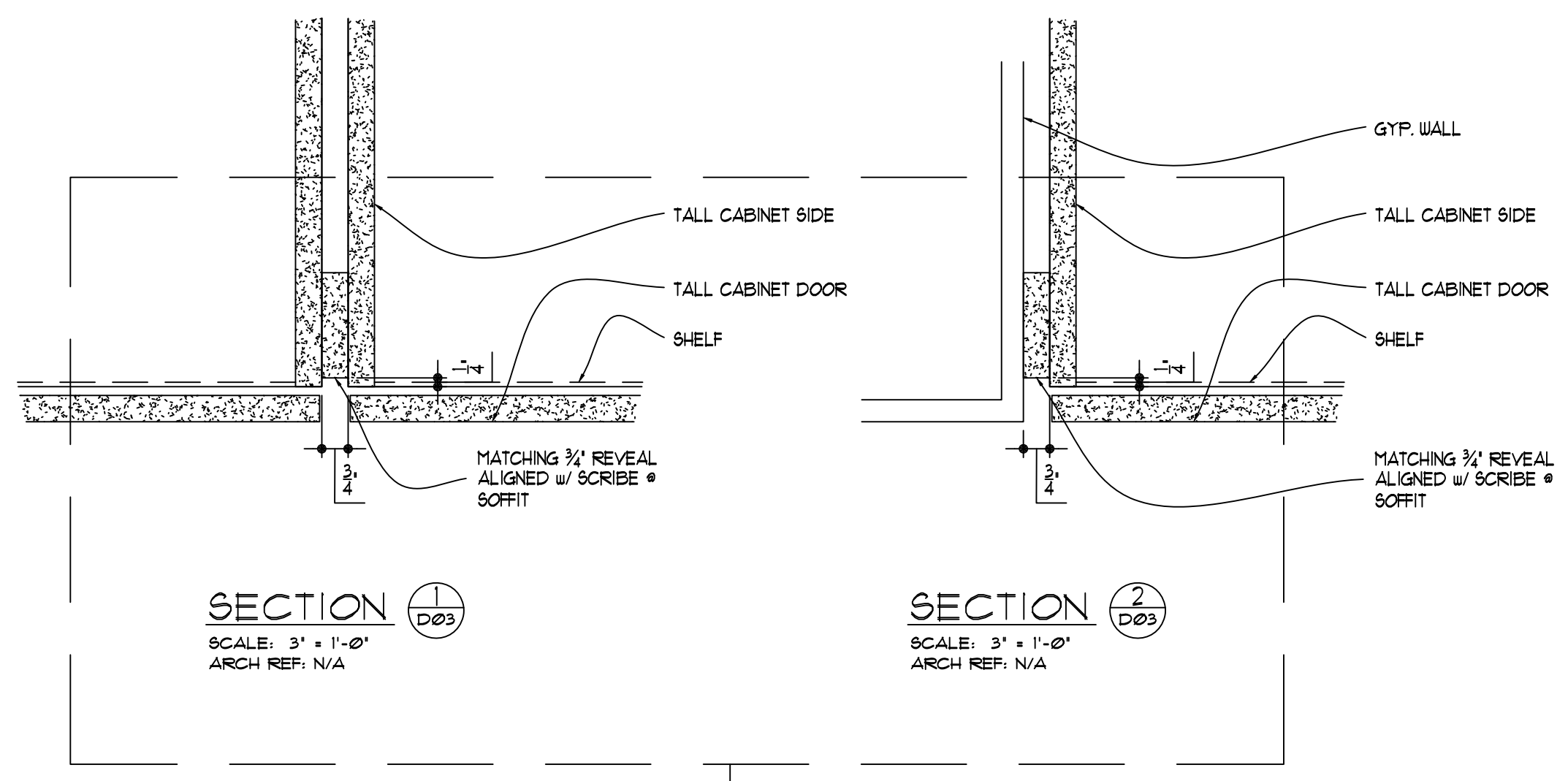
CUSTOMER NAME AND PROJECT INFORMATION HAS BEEN REMOVED



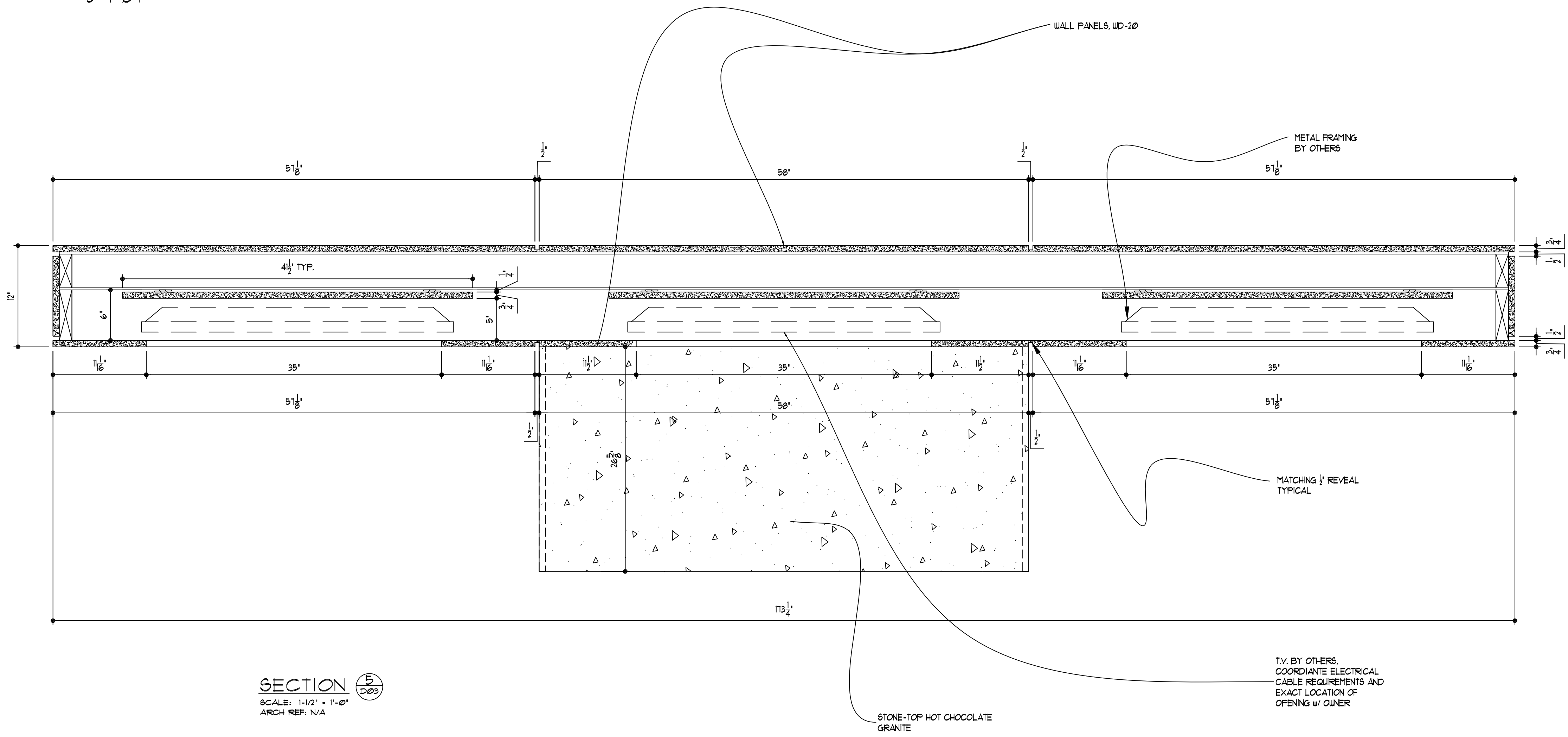
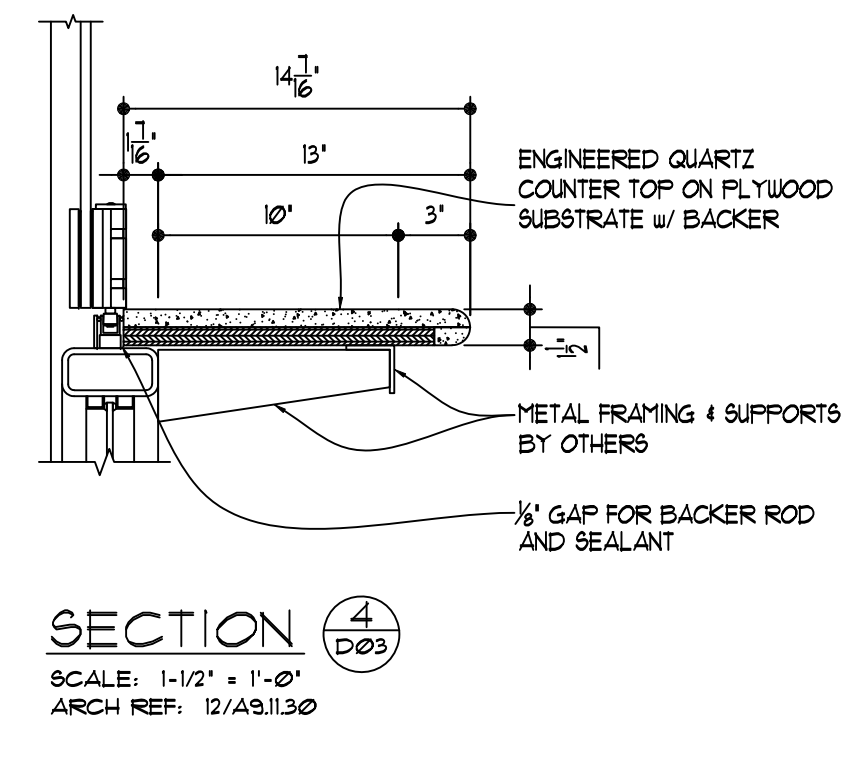
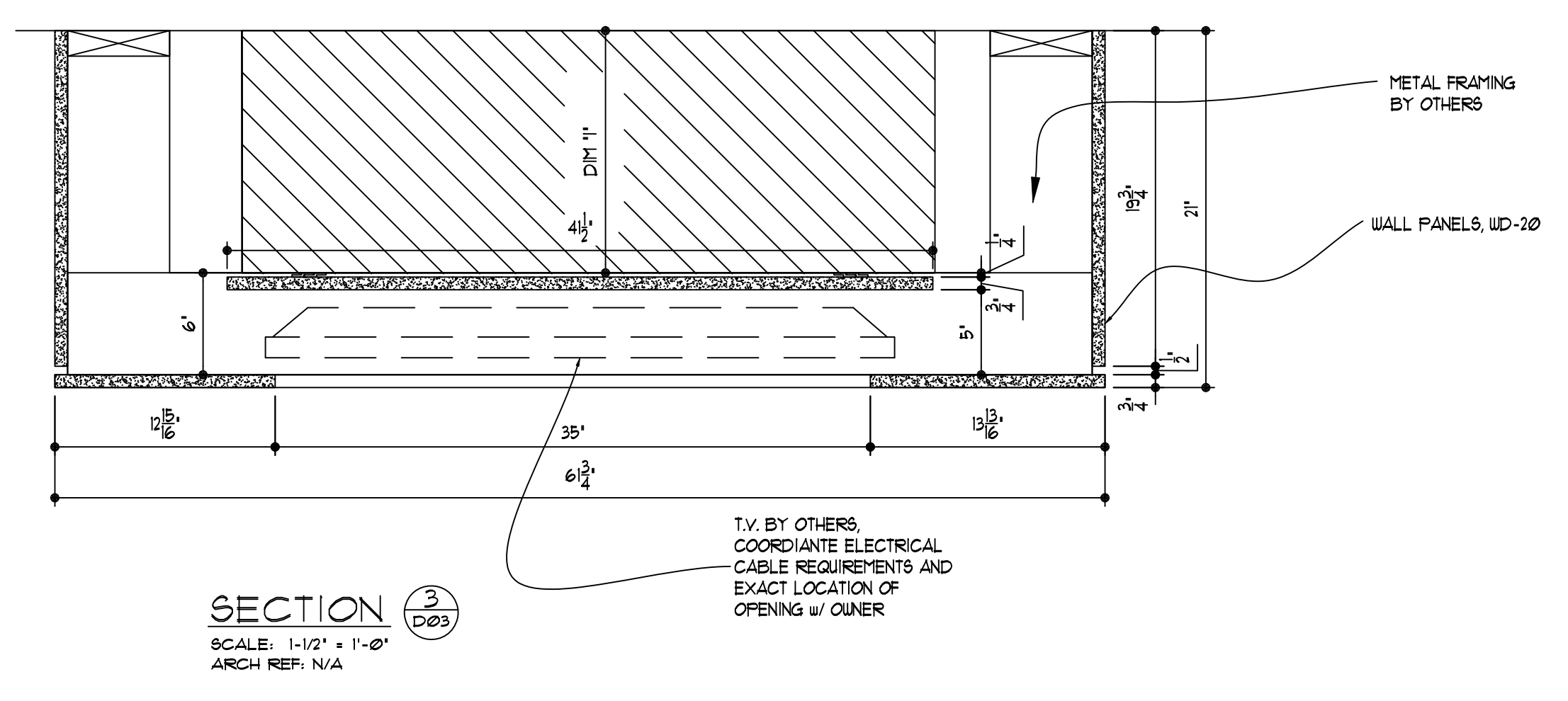
| NO. | DESCRIPTION | DATE | BY |
|-----|-------------|------|----|
| | | | |
| | | | |
| | | | |
| | | | |
| | | | |
| | | | |
| | | | |
| | | | |
| | | | |

PRO SPORTS COMPLEX

CUSTOMER NAME AND PROJECT INFORMATION HAS BEEN REMOVED



IN DISCUSSIONS @ C.C.S.
HOW TO SHOW AS OF
5-4-07

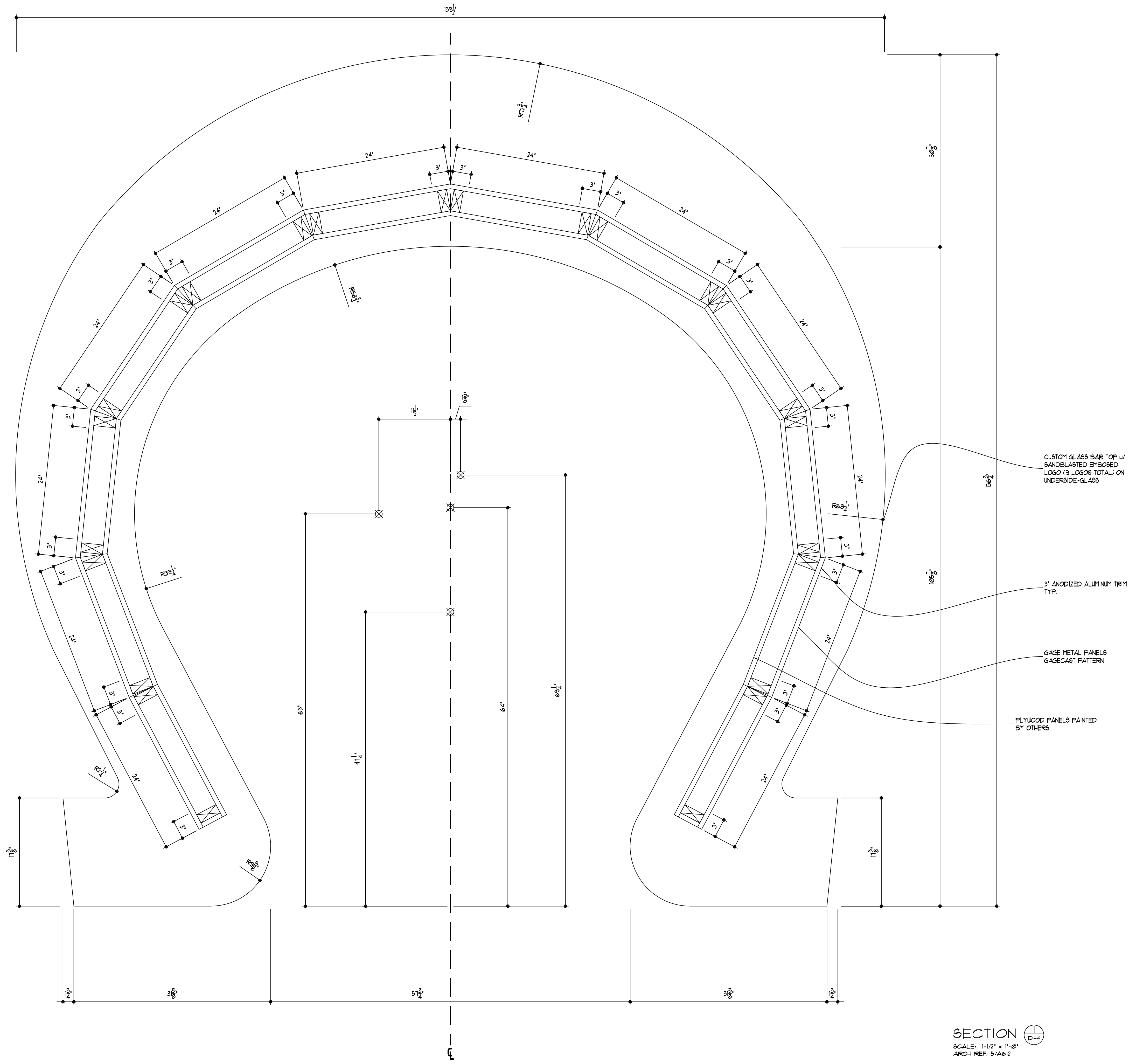


| NO. | DESCRIPTION | DATE | BY |
|-----|-------------|------|----|
| | | | |
| | | | |
| | | | |
| | | | |
| | | | |
| | | | |
| | | | |
| | | | |
| | | | |
| | | | |
| | | | |
| | | | |
| | | | |
| | | | |

REVISIONS

PRO SPORTS COMPLEX

CUSTOMER NAME AND PROJECT INFORMATION HAS BEEN REMOVED



SECTION 1
 SCALE: 1/12" = 1'-0"
 ARCH REF: 5/A612

REVISIONS

| NO. | DESCRIPTION | DATE | BY |
|-----|-------------|------|----|
| | | | |
| | | | |
| | | | |
| | | | |
| | | | |
| | | | |
| | | | |
| | | | |
| | | | |
| | | | |

SCALE
 DATE
 JOB NO.

DRAWN BY:
 PROJECT MGR:

CUSTOMER NAME AND PROJECT INFORMATION HAS BEEN REMOVED

PRO SPORTS COMPLEX