

1
 L1.1
 PHARMACY 2112
 1/2" = 1'-0"
 ARCH REF: A1.1

CUSTOMER NAME
 &
PROJECT DATA HAS BEEN REMOVED
 MILLWORK * CASEWORK * FIXTURING

NOTES
 NO. 1

NO.	DESCRIPTION	DATE	BY
-	-	-	-

DESIGNER AND ARCHITECT

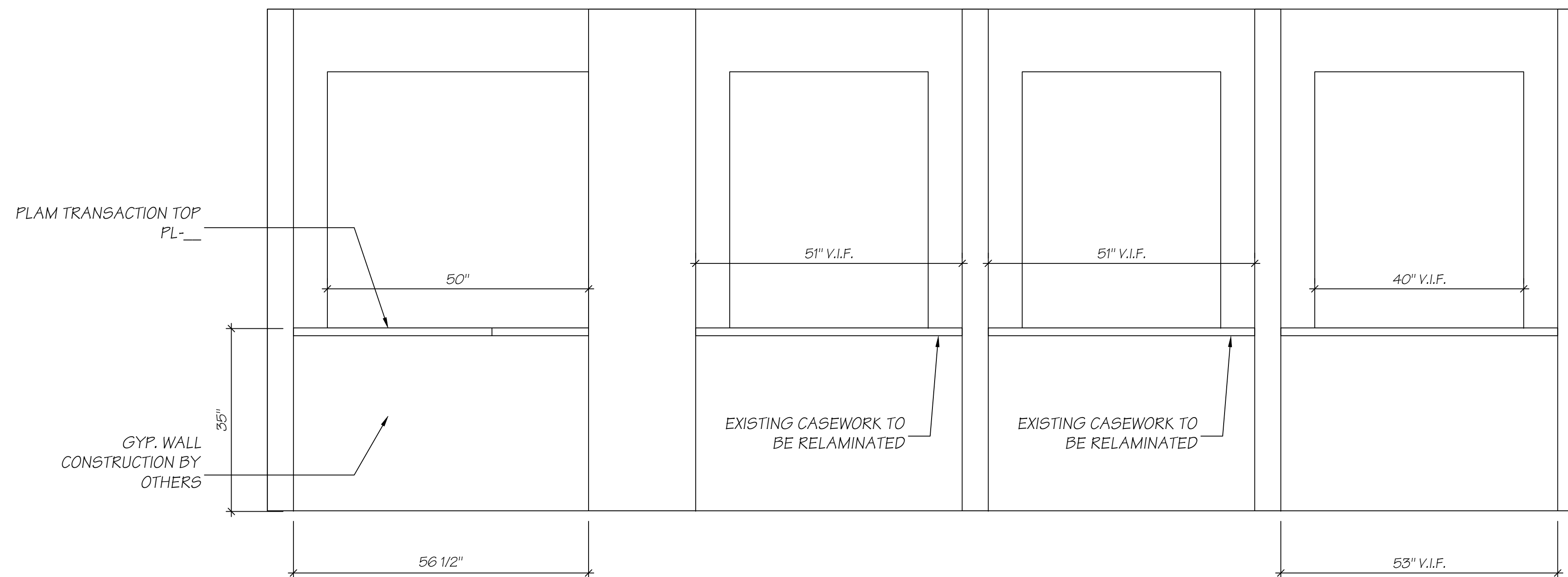
GENERAL CONTRACTOR

PROJECT
 UNIVERSITY HEALTH CENTER
 AND RESEARCH HOSPITAL

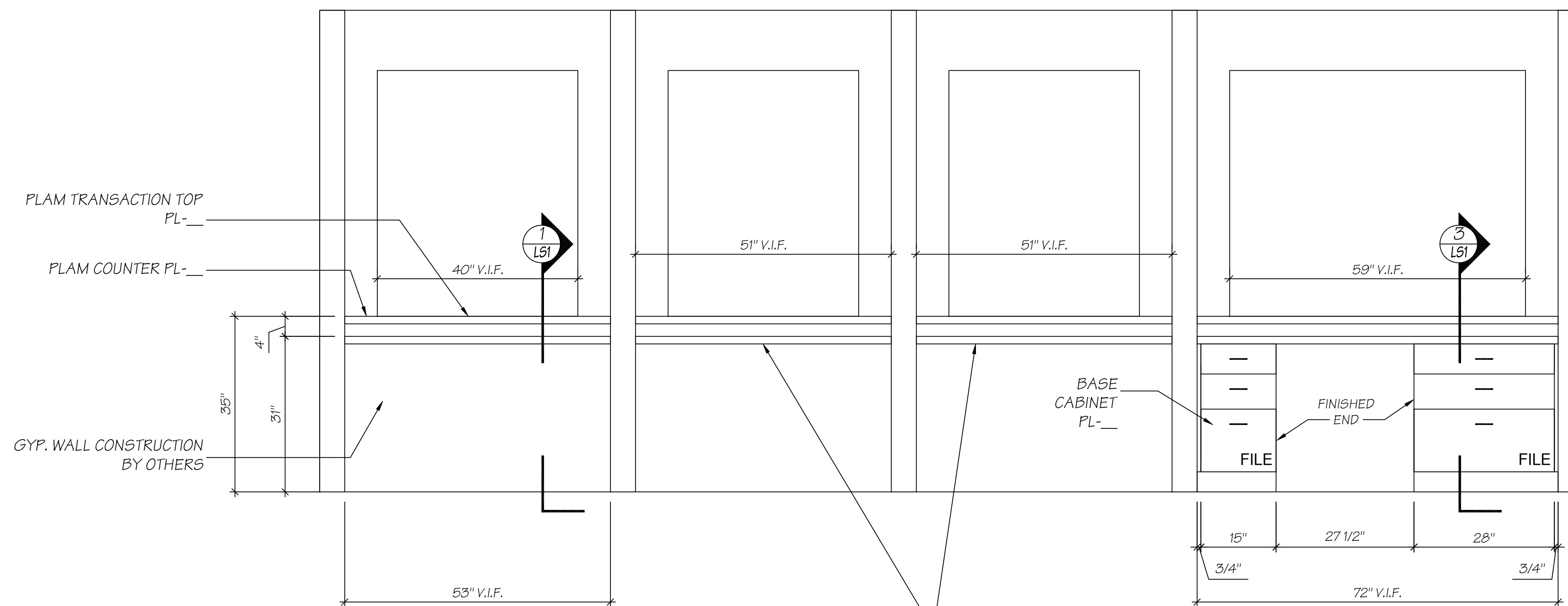
SUBJECT
 PLANS & ELEVATIONS
 PHARMACY 2112

DATE 06-27-08
 SCALE 1/2" = 1'-0"
 DRAWN BY TMD
 CHECKED BY

PROJECT NO. -
 DRAWING NO. L1.1



1
ELEVATION-
PHARMACY 2112
3/4" = 1'-0"
ARCH REF: 31A-5.2



2
ELEVATION-
PHARMACY 2112
3/4" = 1'-0"
ARCH REF: 22/A-5.1

CUSTOMER NAME
&
PROJECT DATA HAS BEEN REMOVED
MILLWORK * CASEWORK * FIXTURING

NOTES
NO. 1

REVISIONS NO.	DESCRIPTION	DATE	BY
-	-	-/-/-	-

DESIGNER AND ARCHITECT

GENERAL CONTRACTOR

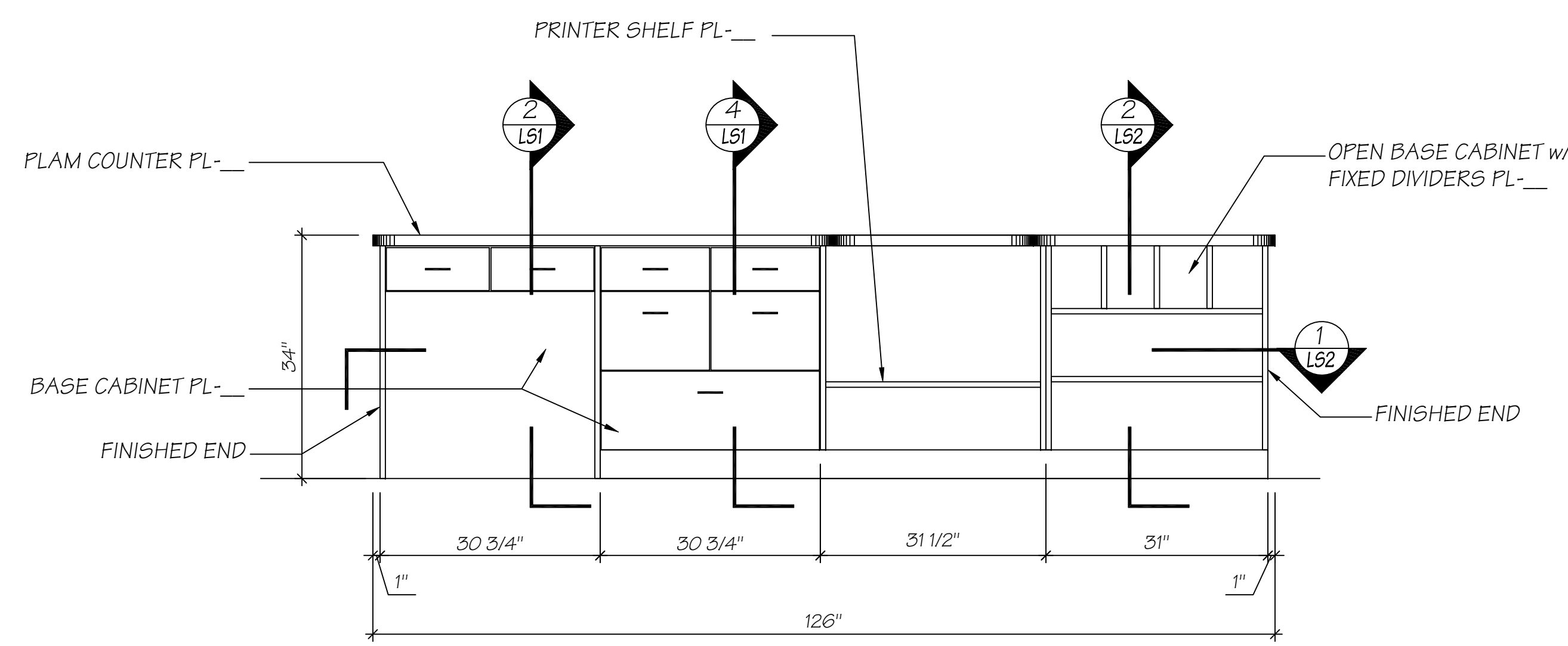
PROJECT
UNIVERSITY HEALTH CENTER
AND RESEARCH HOSPITAL

SUBJECT
PLANS & ELEVATIONS
PHARMACY 2112

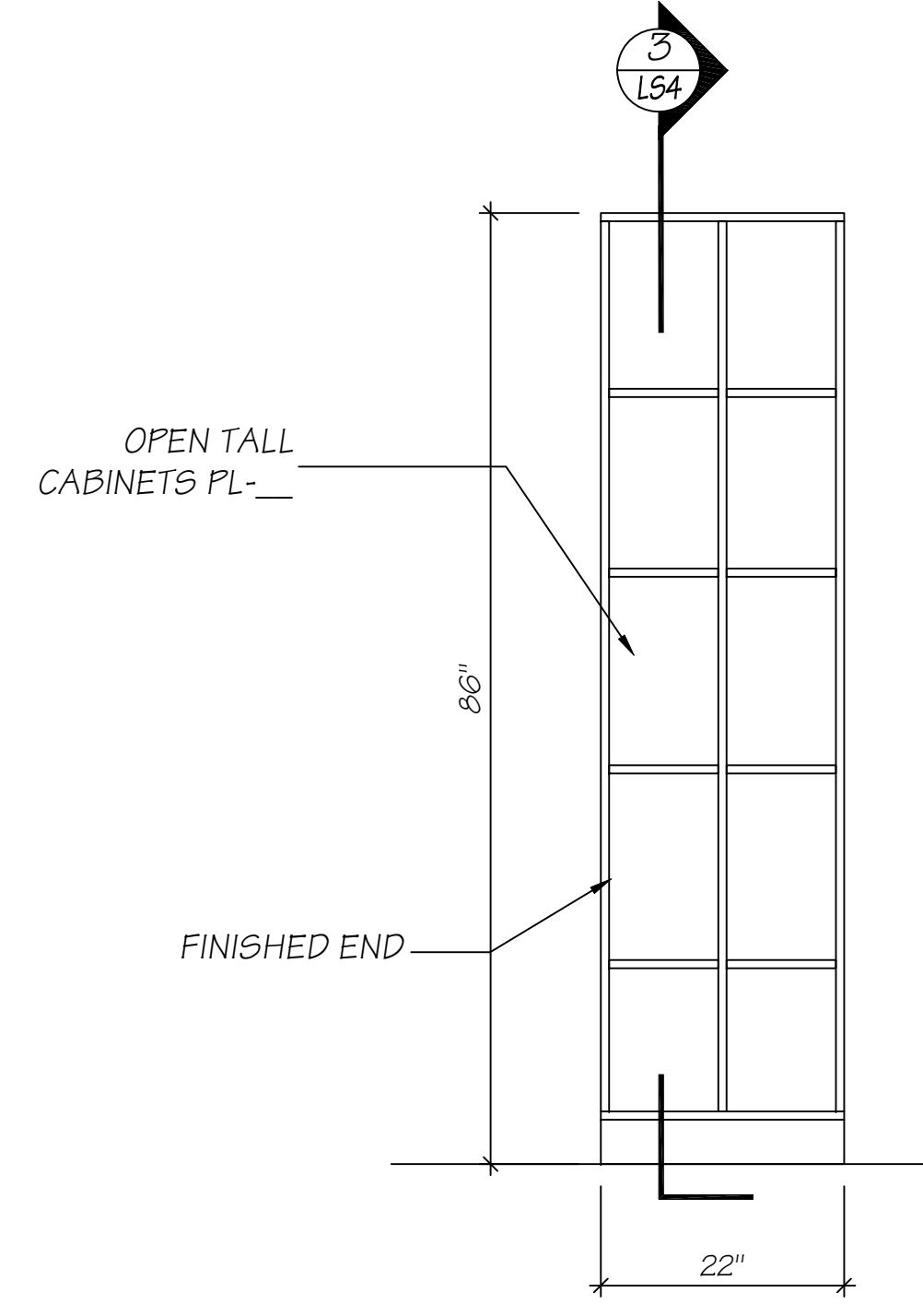
DATE 06-27-08
SCALE 3/4" = 1'-0"
DRAWN BY TMD
CHECKED BY

PROJECT NO. -
DRAWING NO. L1.2

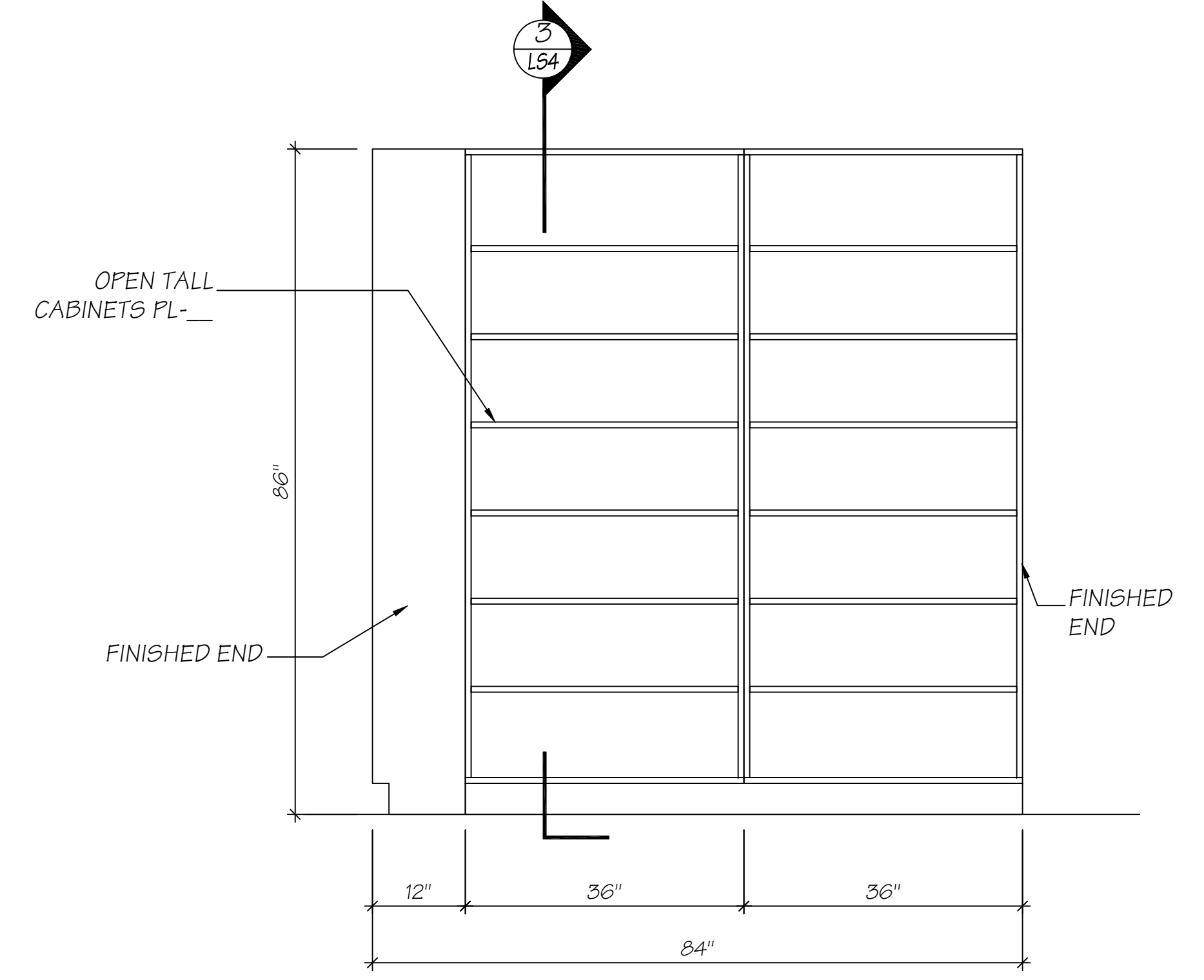
CUSTOMER NAME
&
PROJECT DATA HAS BEEN REMOVED
MILLWORK * CASEWORK * FIXTURING



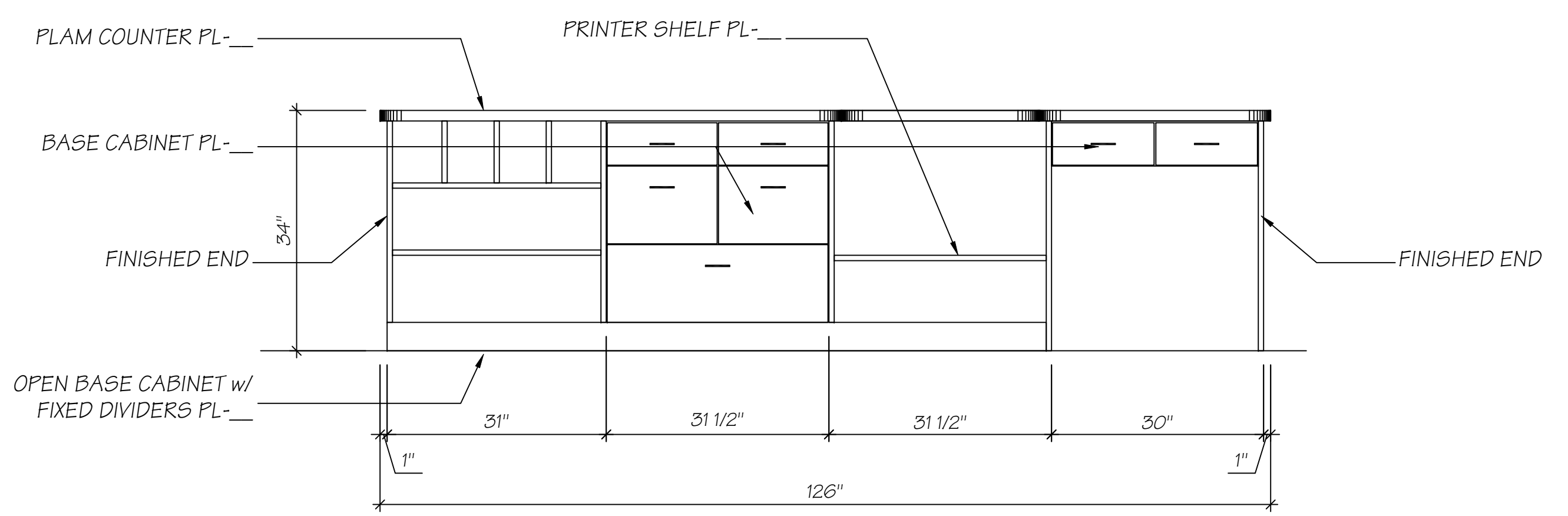
1
 ELEVATION-
 PHARMACY 2112
 L1.3 3/4" = 1'-0"
 ARCH REF: 21/A-5.1



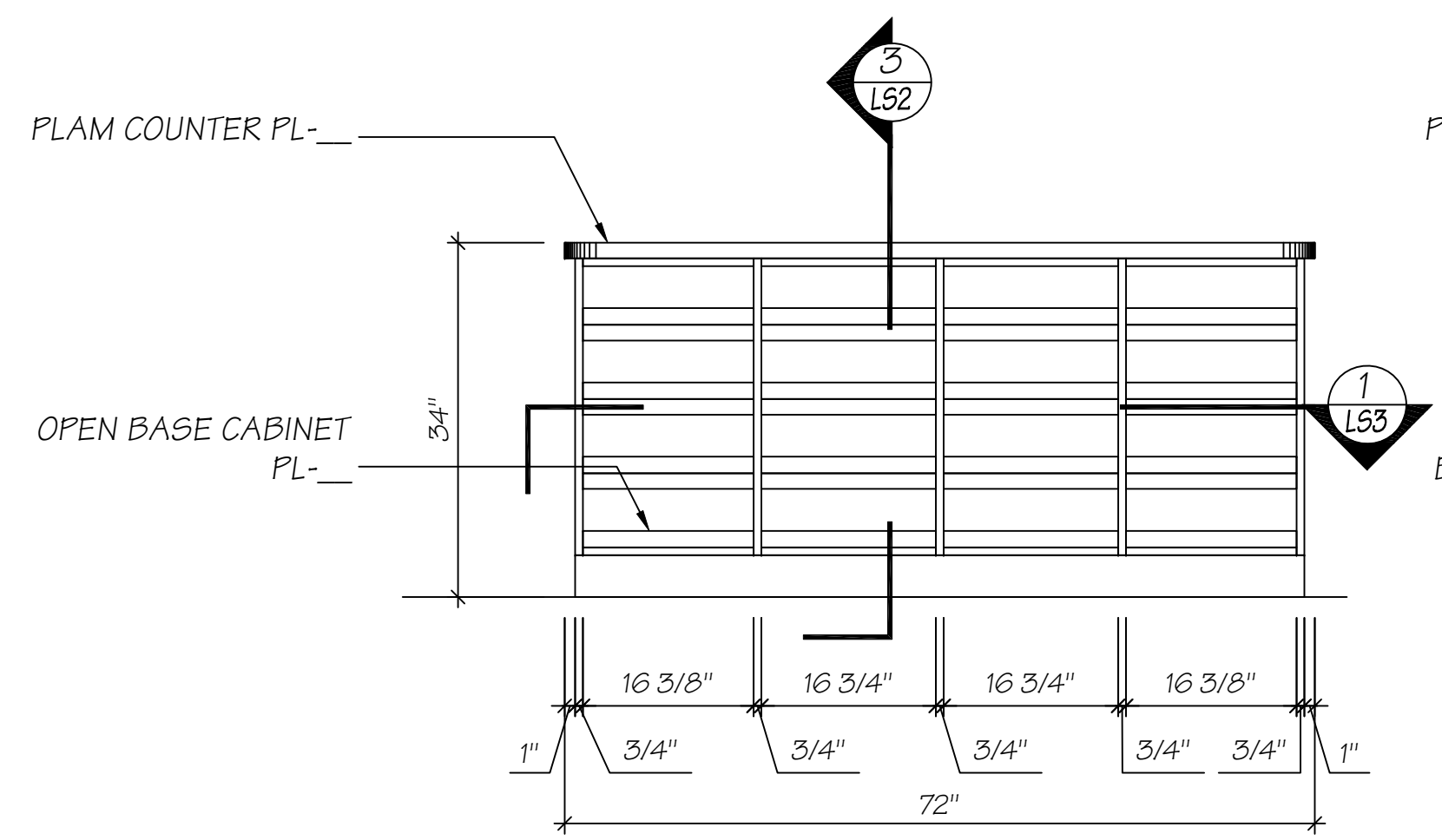
3
 ELEVATION-
 PHARMACY 2112
 L1.3 3/4" = 1'-0"
 ARCH REF: 24/A-5.1



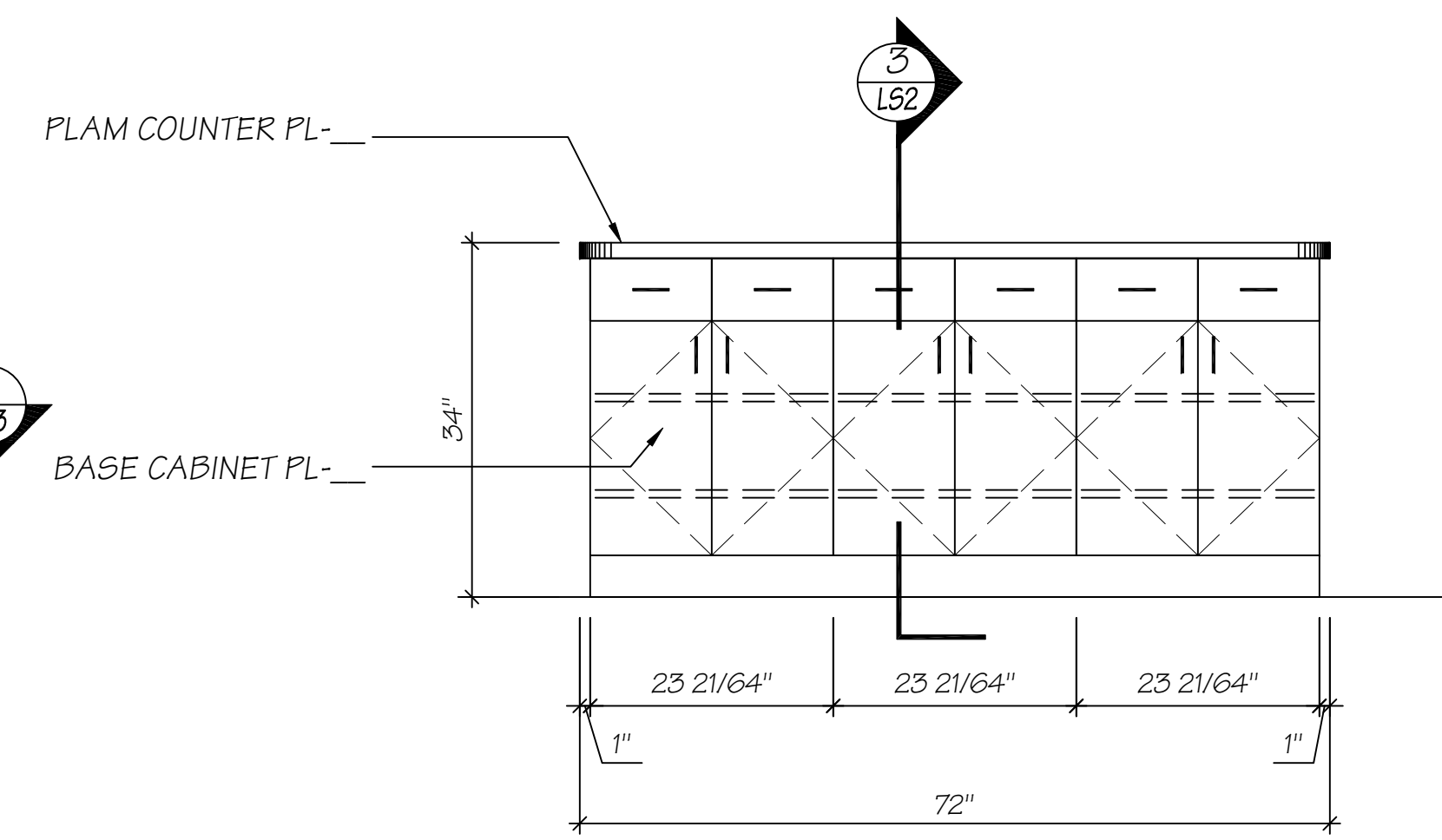
4
 ELEVATION-
 PHARMACY 2112
 L1.3 3/4" = 1'-0"
 ARCH REF: 24/A-5.1



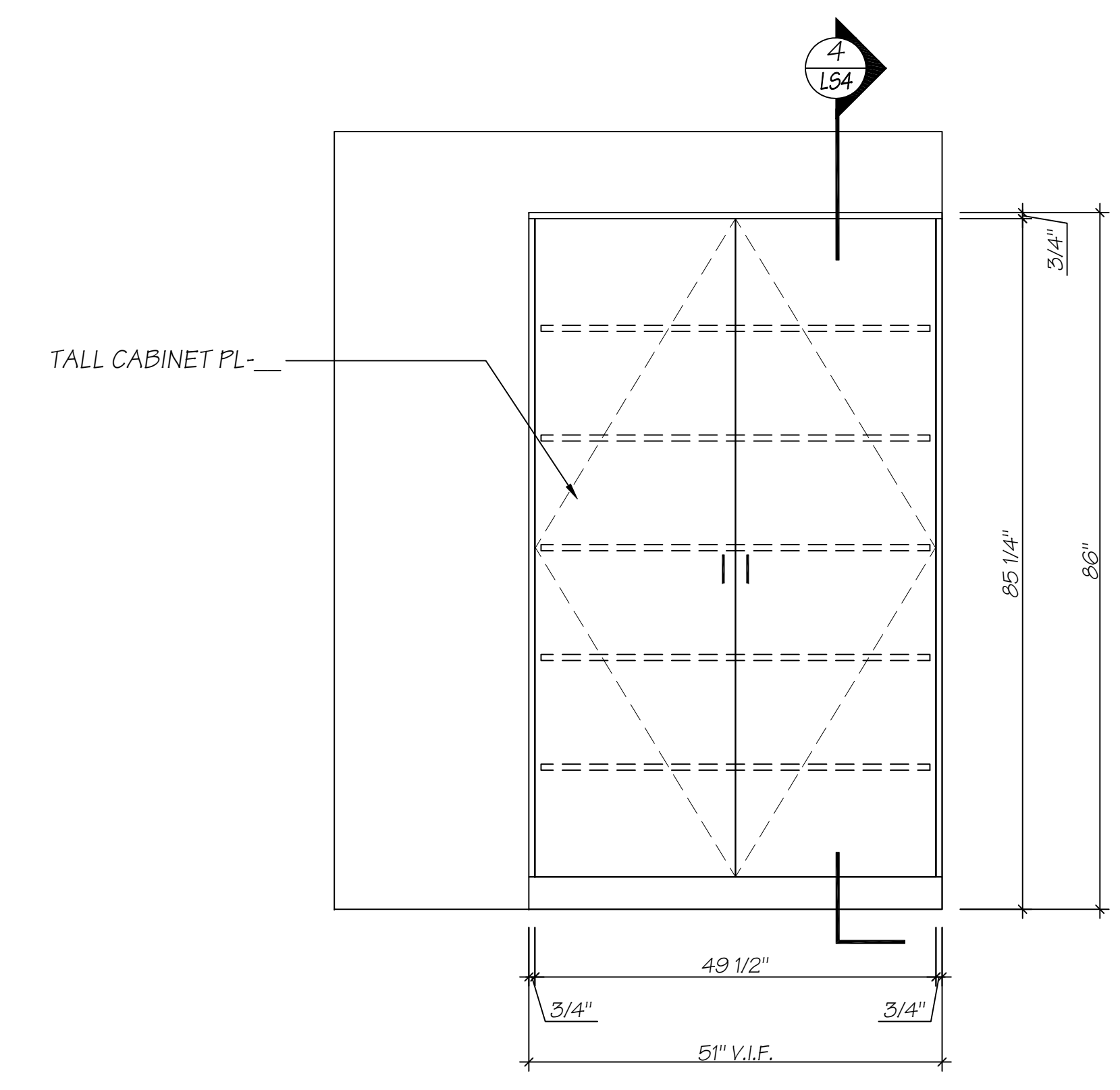
2
 ELEVATION-
 PHARMACY 2112
 L1.3 3/4" = 1'-0"
 ARCH REF: 21/A-5.1 SIM.



5
 ELEVATION-
 PHARMACY 2112
 L1.3 3/4" = 1'-0"
 ARCH REF: N/A



6
 ELEVATION-
 PHARMACY 2112
 L1.3 3/4" = 1'-0"
 ARCH REF: 17/A-5.1



7
 ELEVATION-
 PHARMACY 2112
 L1.3 3/4" = 1'-0"
 ARCH REF: 23/A-5.1

NOTES
 NO. 1

REVISIONS NO.	DESCRIPTION	DATE	BY
-	-	-	-

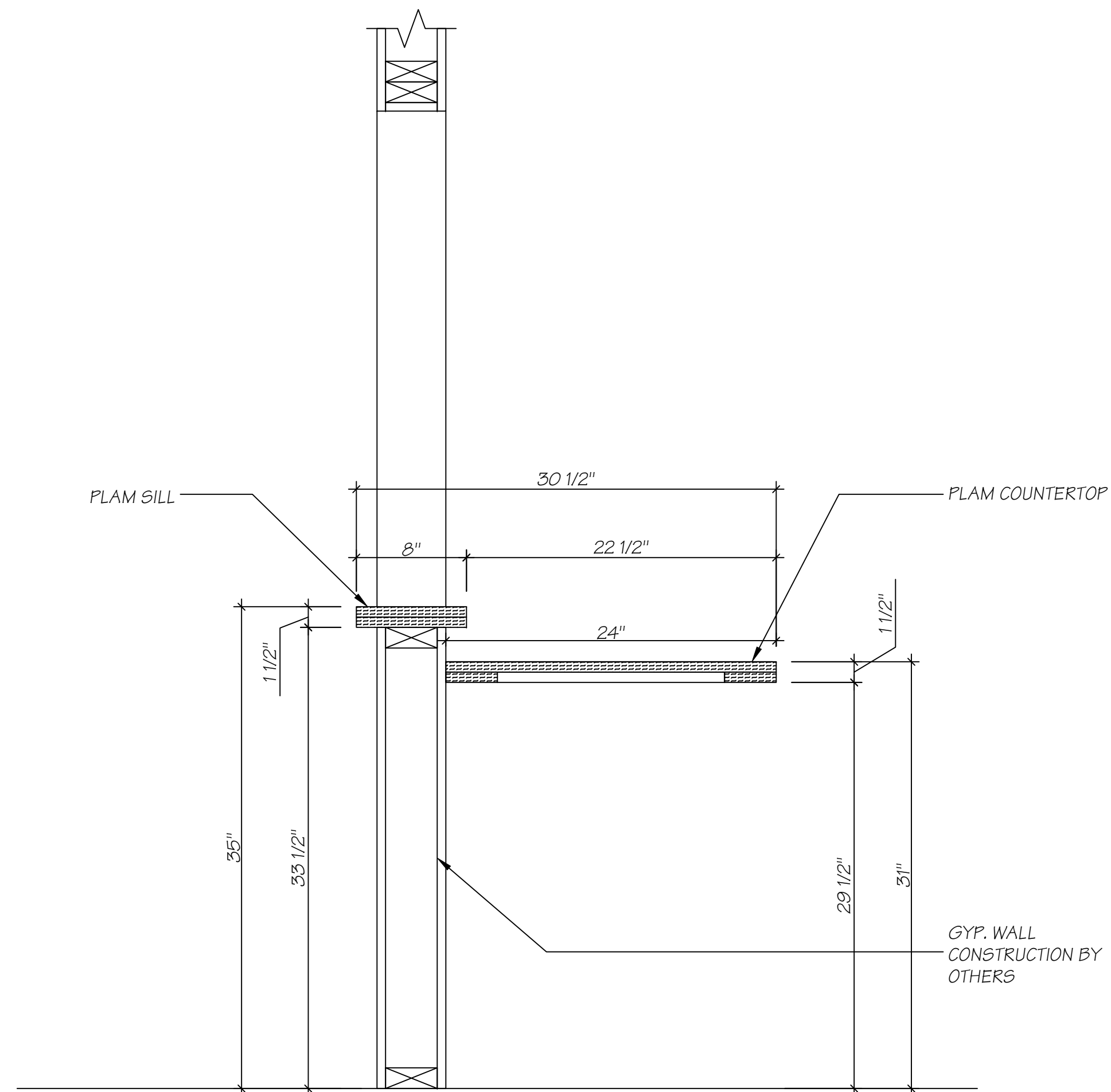
DESIGNER AND ARCHITECT

GENERAL CONTRACTOR

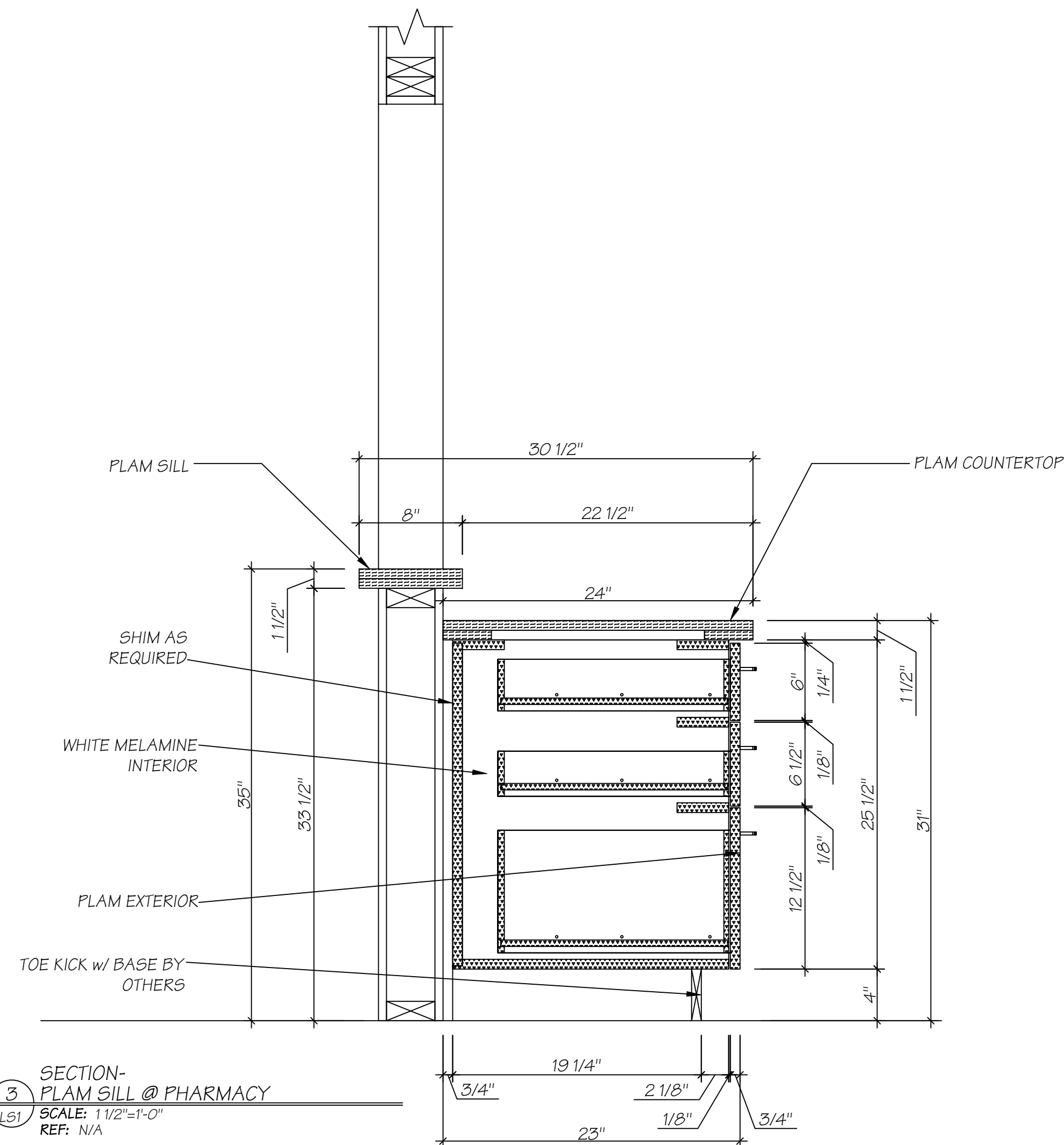
PROJECT
 UNIVERSITY HEALTH CENTER
 AND RESEARCH HOSPITAL

SUBJECT
 PLANS & ELEVATIONS
 PHARMACY 2112

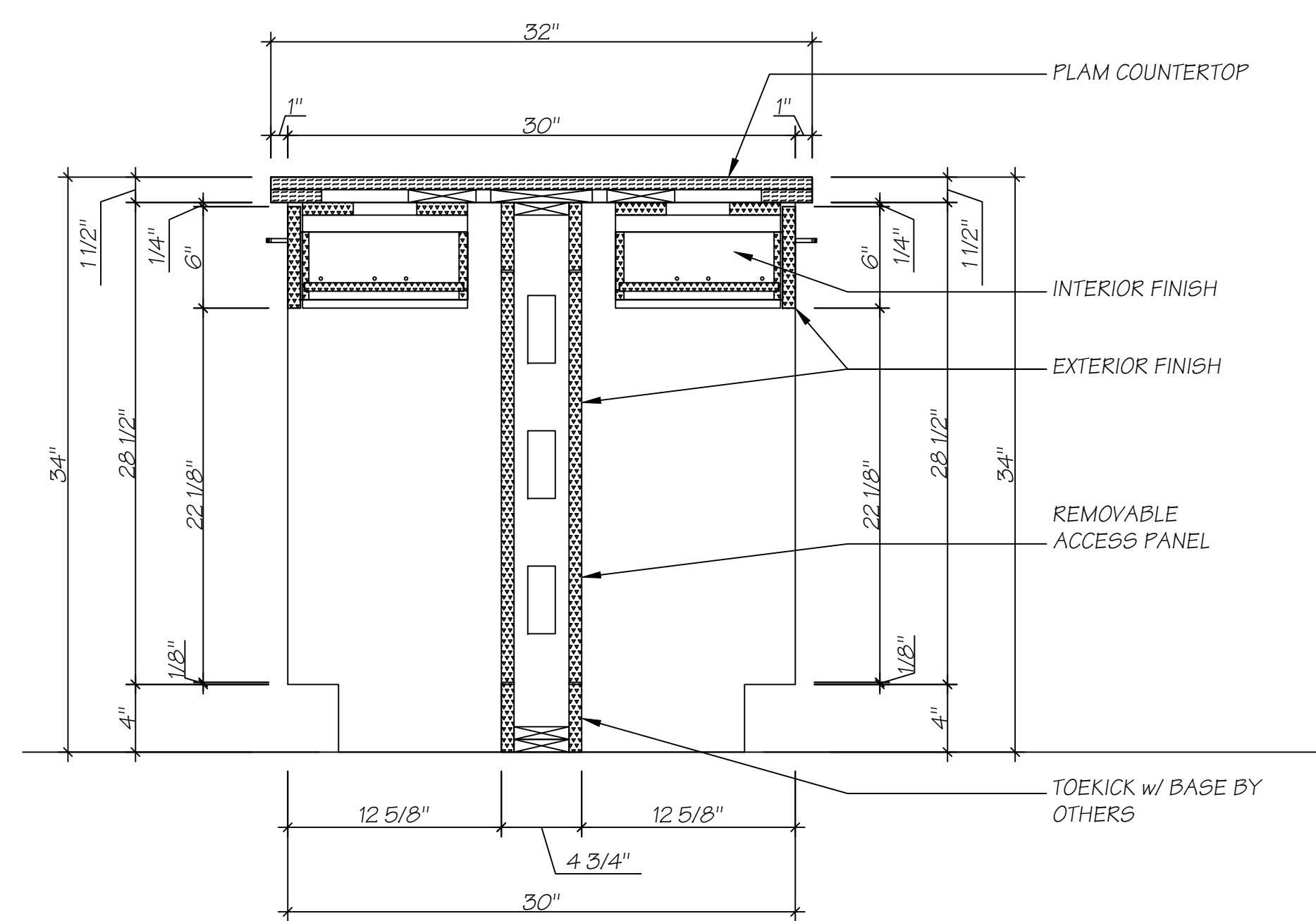
DATE 06-27-08
 SCALE 3/4" = 1'-0"
 DRAWN BY TMD
 CHECKED BY
 PROJECT NO. -
 DRAWING NO. L1.3



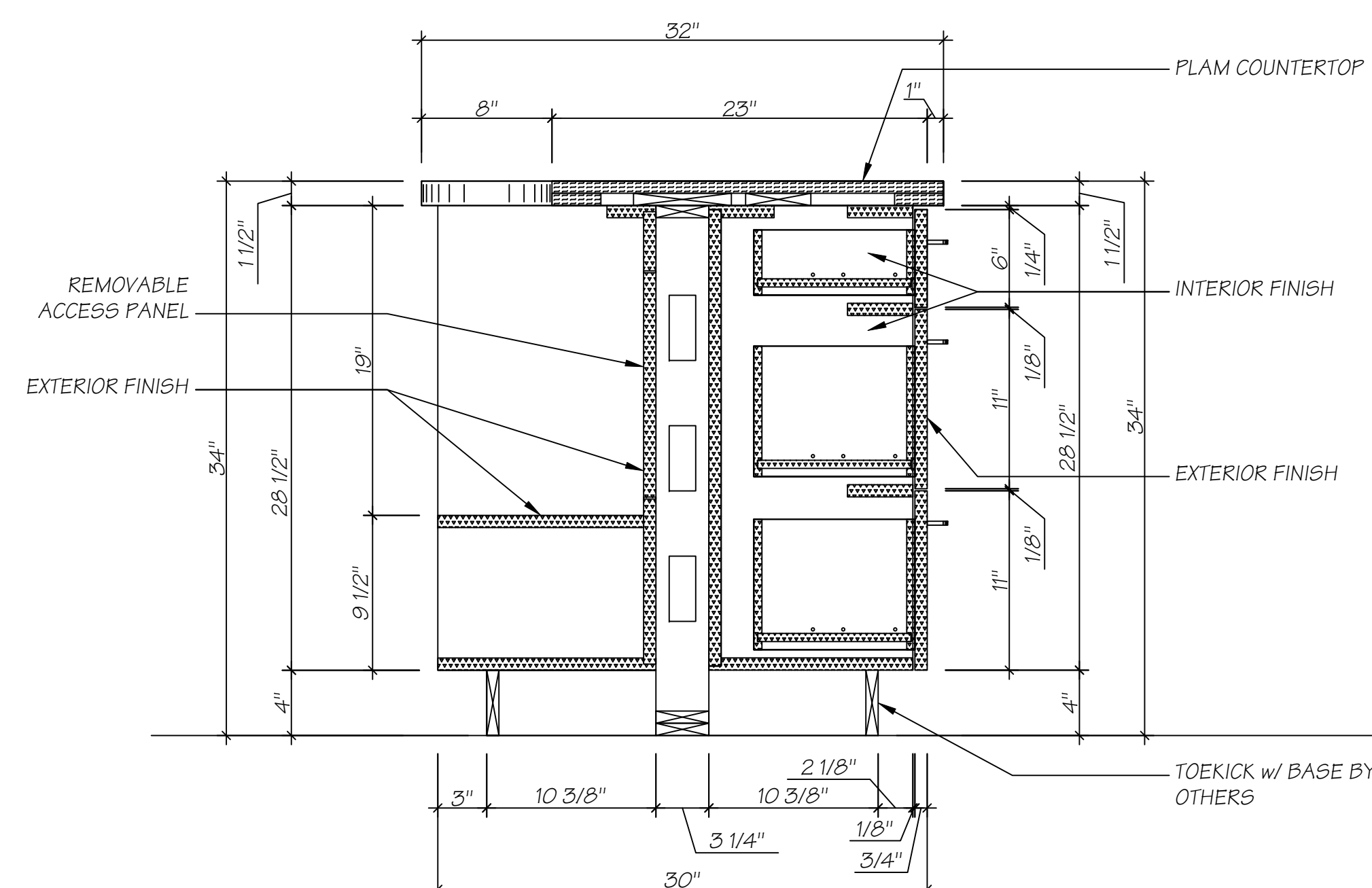
1 SECTION-
PLAM SILL @ PHARMACY
SCALE: 1 1/2"=1'-0"
REF: N/A



3 SECTION-
PLAM SILL @ PHARMACY
SCALE: 1 1/2"=1'-0"
REF: N/A



2 SECTION- PHARMACY
PHARMACY ISLAND - SOUTH
SCALE: 1 1/2"=1'-0"
REF: N/A



4 SECTION- PHARMACY
PHARMACY ISLAND - SOUTH
SCALE: 1 1/2"=1'-0"
REF: N/A

CUSTOMER NAME
&
PROJECT DATA HAS BEEN REMOVED
MILLWORK * CASEWORK * FIXTURING

NOTES
NO. 1

NO.	DESCRIPTION	DATE	BY
-	-	-	-

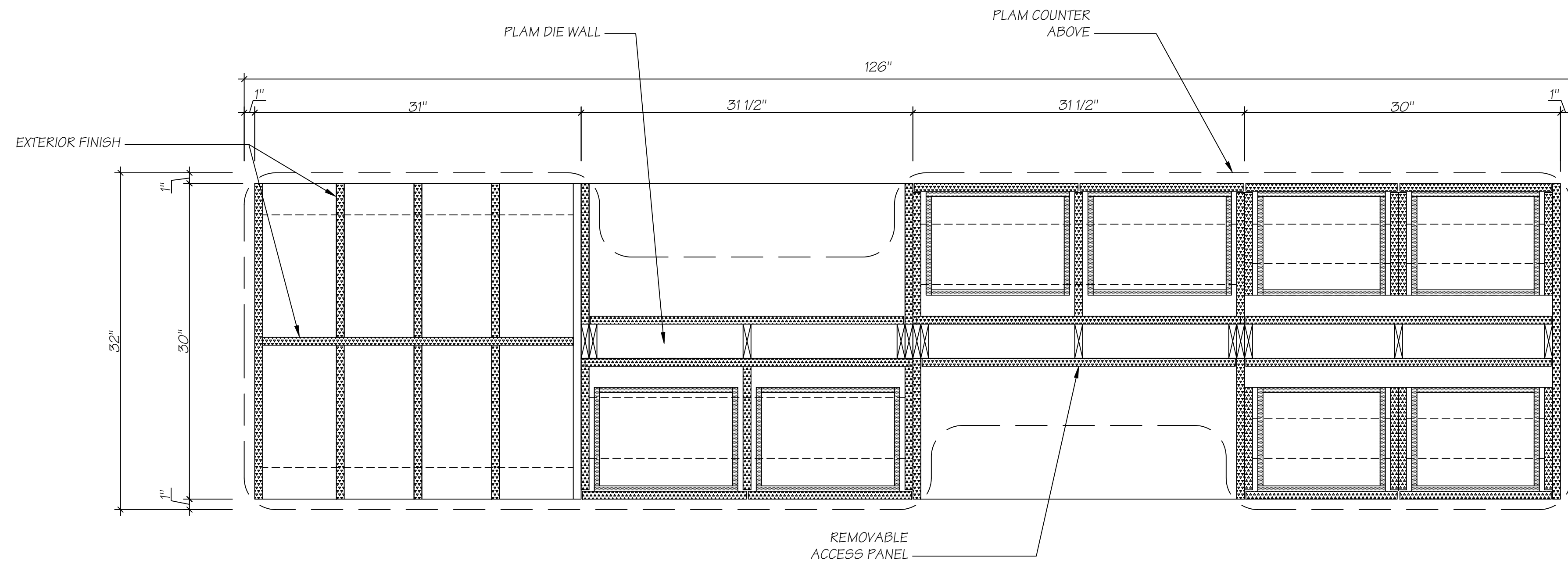
DESIGNER AND ARCHITECT

GENERAL CONTRACTOR

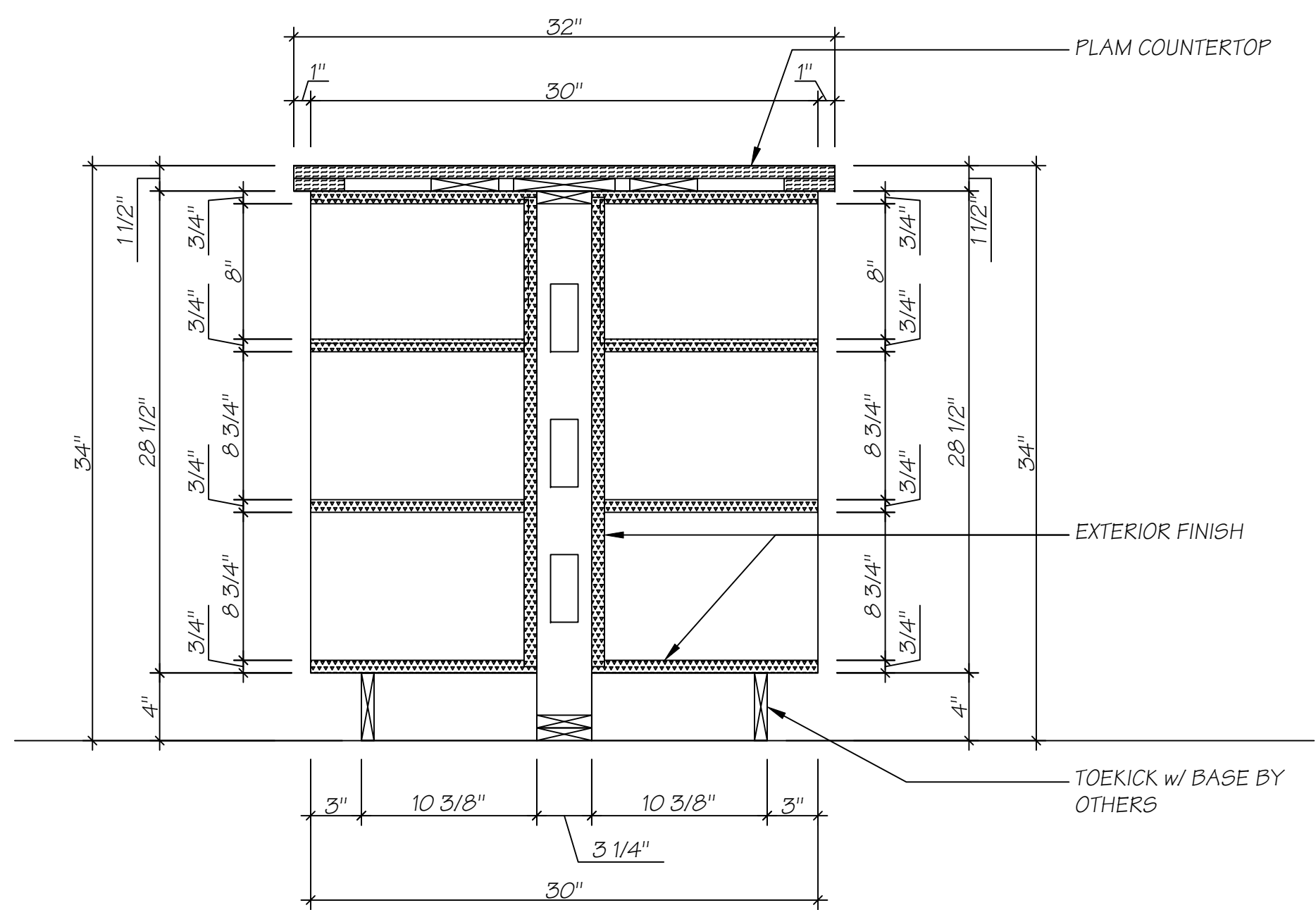
PROJECT
UNIVERSITY HEALTH CENTER
AND RESEARCH HOSPITAL

SUBJECT
SECTIONS & DETAILS

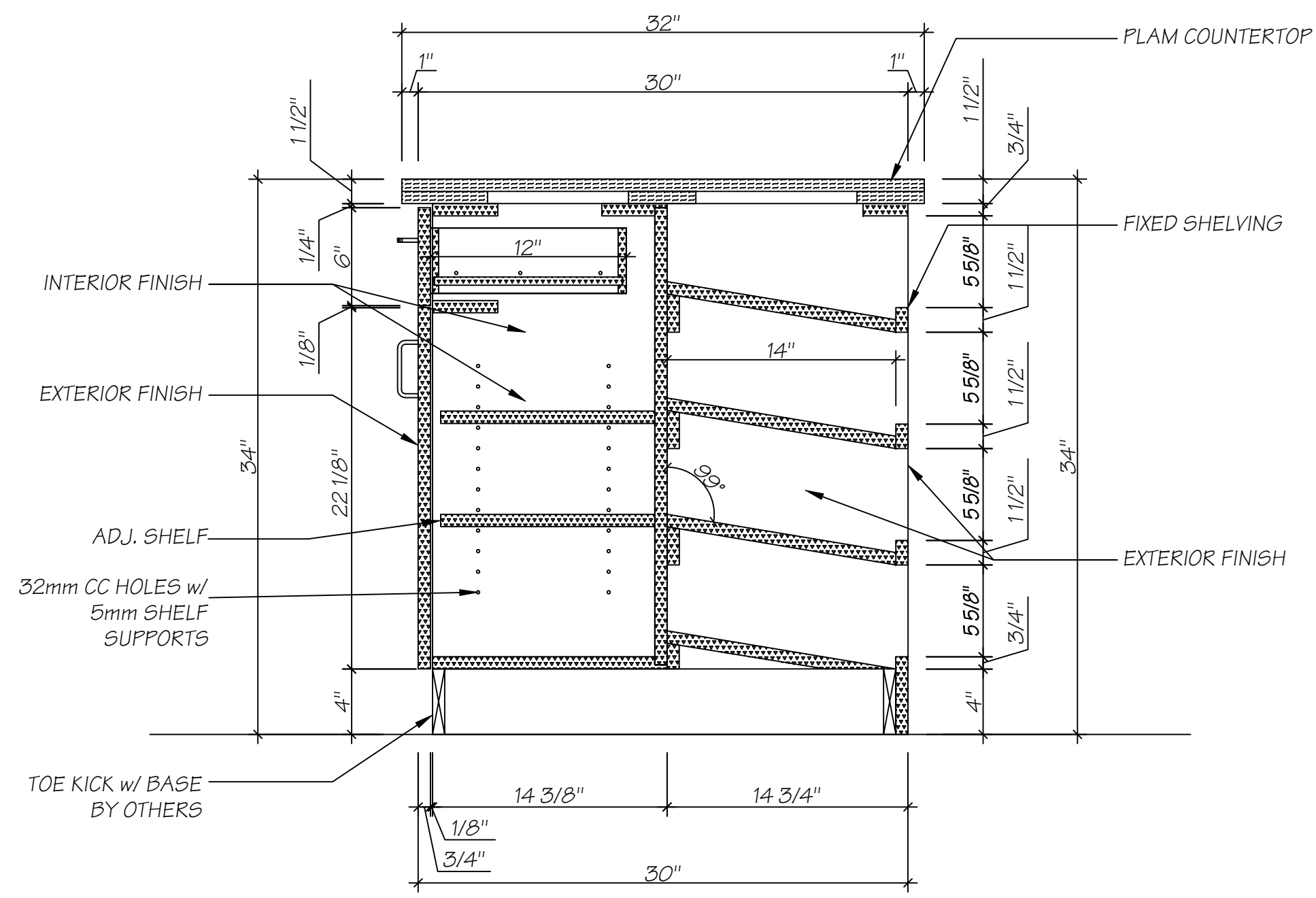
DATE	06-27-08
SCALE	1 1/2" = 1'-0"
DRAWN BY	TMD
CHECKED BY	
PROJECT NO.	-
DRAWING NO.	LS1



SECTION- PHARMACY
PHARMACY ISLAND - SOUTH
SCALE: 1 1/2"=1'-0"
REF: 21/A-5.1



SECTION- PHARMACY
PHARMACY ISLAND - SOUTH
SCALE: 1 1/2"=1'-0"
REF: N/A



SECTION-
PHARMACY ISLAND - WEST
SCALE: 1 1/2"=1'-0"
REF: 17/A-5.1

CUSTOMER NAME
&
PROJECT DATA HAS BEEN REMOVED
MILLWORK * CASEWORK * FIXTURING

NOTES
NO. 1

NO.	DESCRIPTION	DATE	BY
-	-	-	-

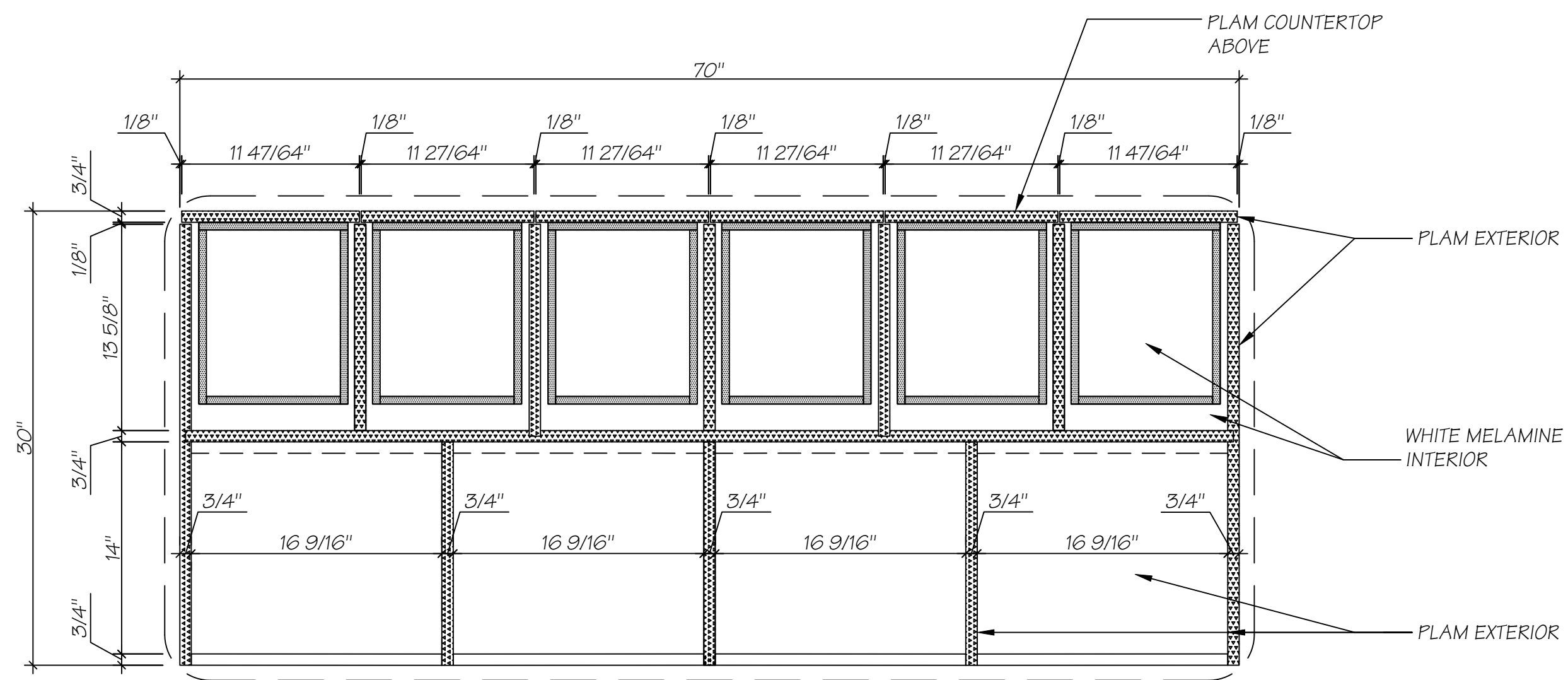
DESIGNER AND ARCHITECT

GENERAL CONTRACTOR

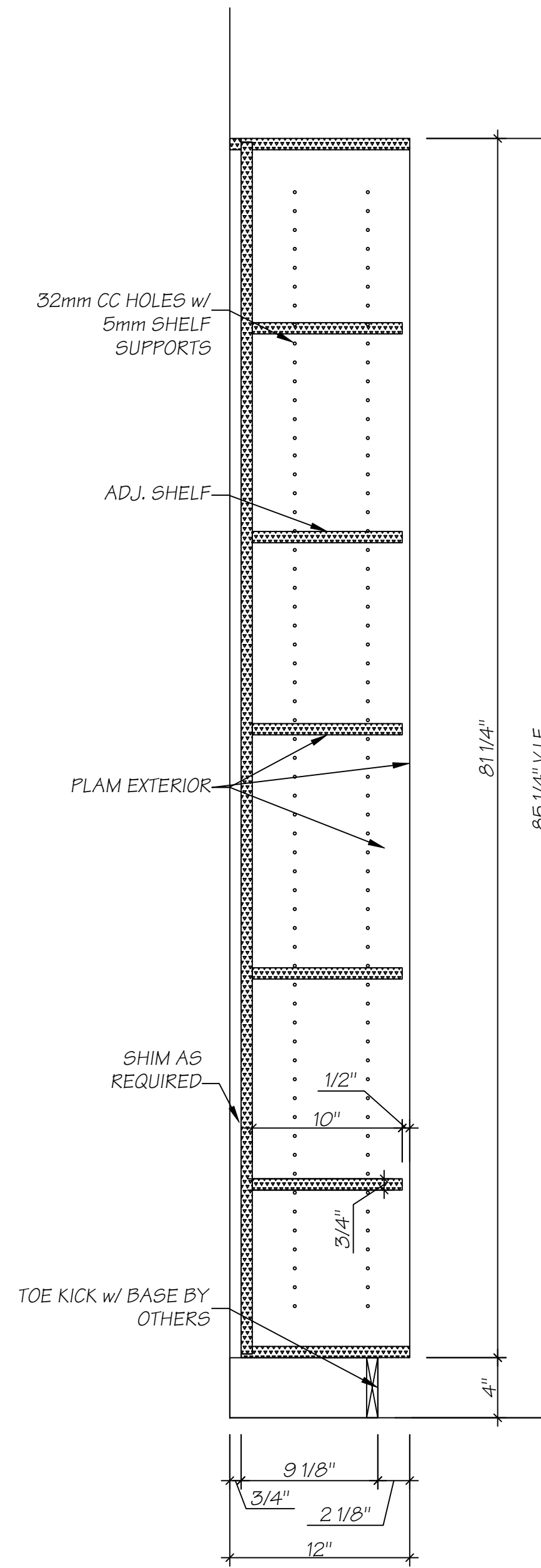
PROJECT
UNIVERSITY HEALTH CENTER
AND RESEARCH HOSPITAL

SUBJECT
SECTIONS & DETAILS

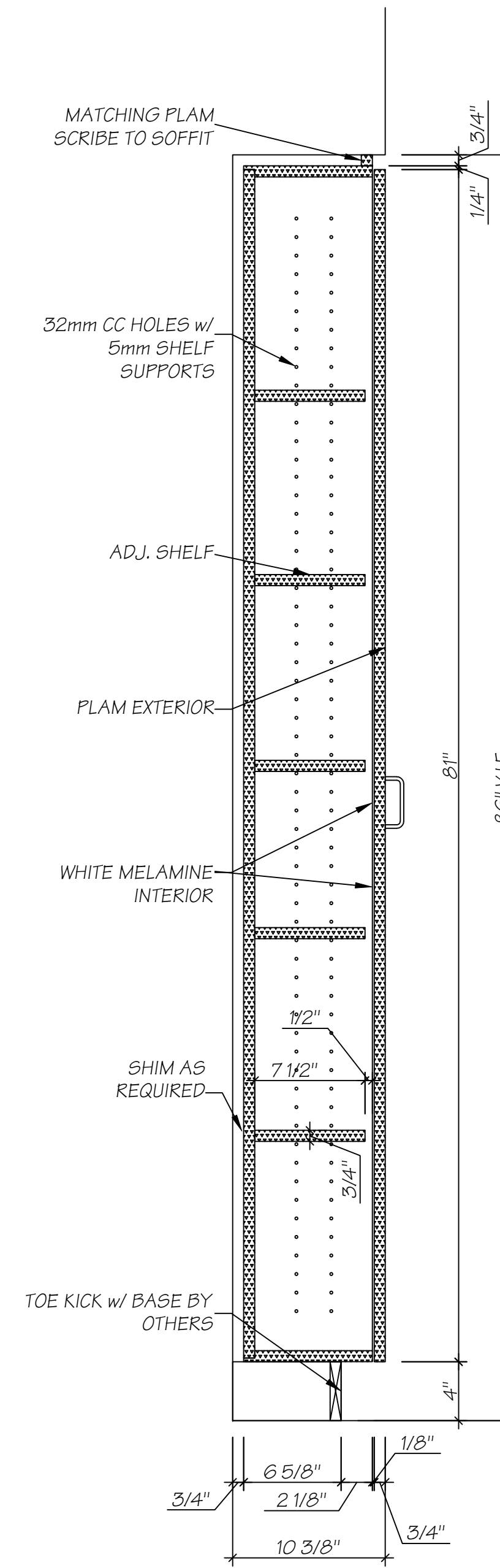
DATE 06-27-08
SCALE 1 1/2" = 1'-0"
DRAWN BY TMD
CHECKED BY
PROJECT NO. -
DRAWING NO. L52



1 SECTION-
PHARMACY ISLAND - WEST
SCALE: 1 1/2"=1'-0"
REF: N/A



2 SECTION-
OPEN TALL CABINET
SCALE: 1 1/2"=1'-0"
REF: N/A



3 SECTION-
TALL CABINET
SCALE: 1 1/2"=1'-0"
REF: N/A

CUSTOMER NAME
&
PROJECT DATA HAS BEEN REMOVED
MILLWORK * CASEWORK * FIXTURING

NOTES
NO. 1

NO.	DESCRIPTION	DATE	BY
-	-	-/-/-	-

DESIGNER AND ARCHITECT

GENERAL CONTRACTOR

PROJECT
UNIVERSITY HEALTH CENTER
AND RESEARCH HOSPITAL

SUBJECT
SECTIONS & DETAILS

DATE 06-27-08
SCALE 1 1/2" = 1'-0"
DRAWN BY TMD
CHECKED BY
PROJECT NO. -
DRAWING NO. LS3